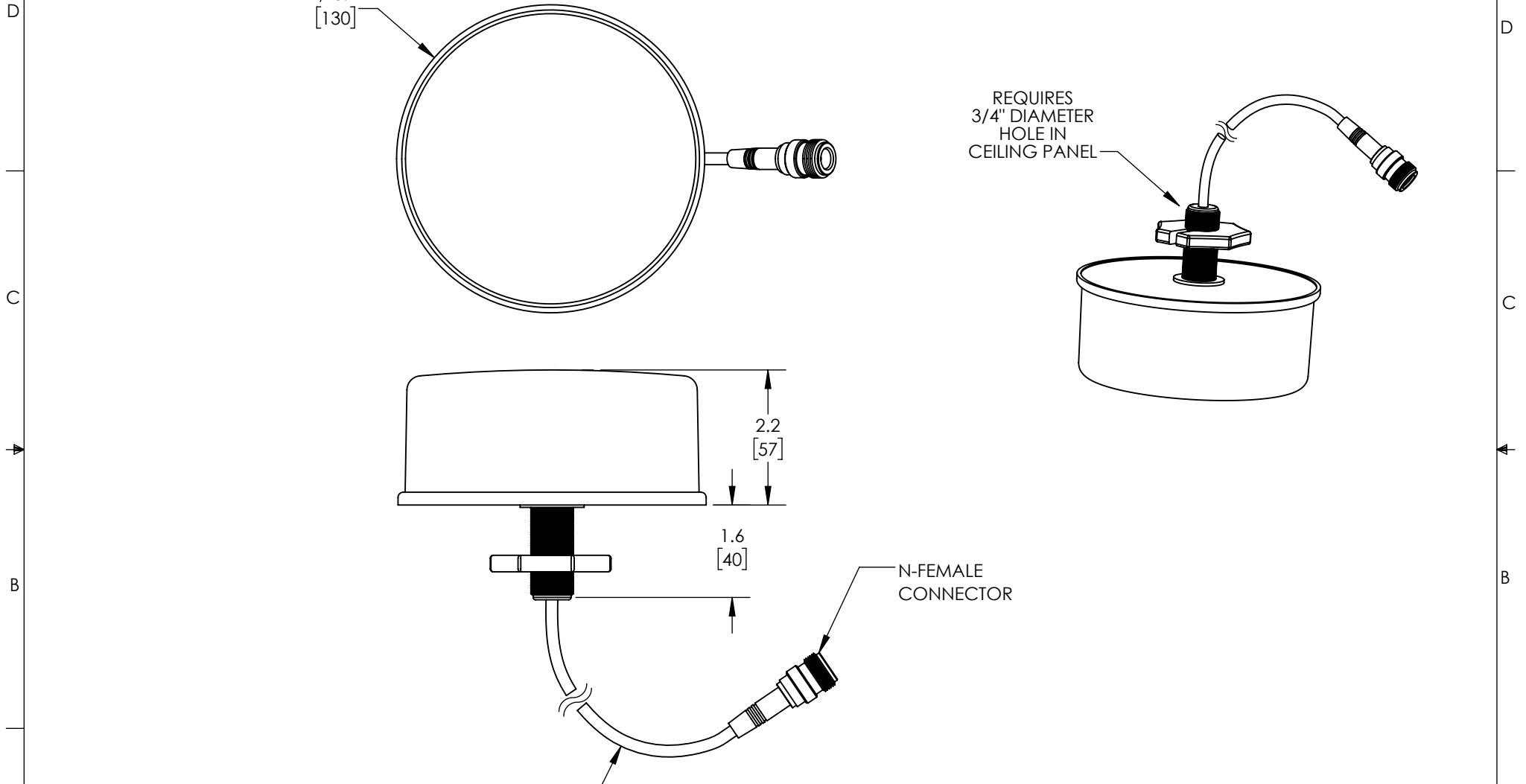


THE INFORMATION CONTAINED IN THIS DRAWING IS THE SOLE PROPERTY OF L-COM, INC. ANY REPRODUCTION IN PART OR WHOLE WITHOUT THE WRITTEN PERMISSION OF L-COM, INC. IS PROHIBITED.

REVISIONS			
REV	DESCRIPTION	DATE	APPROVED
A	REV A DRAWING RELEASED	04/05/2019	MMILLER



Ø 5.1
[130]

REQUIRES
3/4" DIAMETER
HOLE IN
CEILING PANEL

2.2
[57]

1.6
[40]

N-FEMALE
CONNECTOR

12 INCH
CONNECTOR
PIGTAIL

UNLESS OTHERWISE SPECIFIED, DIMENSIONS ARE IN INCHES [mm] OVERALL CABLE LENGTH TOLERANCE: ≤12 [305] = +1 [25] / -0 >12 [305] ≤60 [1524] = +2 [51] / -0 >60 [1524] ≤120 [3048] = +4 [102] / -0 >120 [3048] ≤300 [7620] = +6 [152] / -0 >300 [7620] = +5% / -0% ALL OTHER DIMENSIONAL TOLERANCES: .X = ± .2 [5.08] .XX = ± .02 [.51] .XXX = ± .005 [0.13]	APPROVALS DRAWN BY BPUCHASKI	DATE 04/03/2019	50 HIGH STREET NORTH ANDOVER, MA 01845			
	CHECKED BY DFRISIELLO	DATE 04/03/2019		CATEGORY ANTENNA		
	APPROVED BY MMILLER	DATE 04/03/2019		PRODUCT DESCRIPTION ANTCEILING OMNI 2.4/5.8GHz 3dBi W/12 INCH PIGTAIL N-FEMALE CON		
	PROJECTION 	CONFIGURATION DETAILS OF UNDIMENSIONED FEATURES MAY VARY		COLOR VARIATIONS MAY OCCUR	SIZE A	FSCM NO. 43321
SCALE: NONE		CAD FILE: HG2458CU-1-NF.SLDDRW		SHEET 1 OF 1		