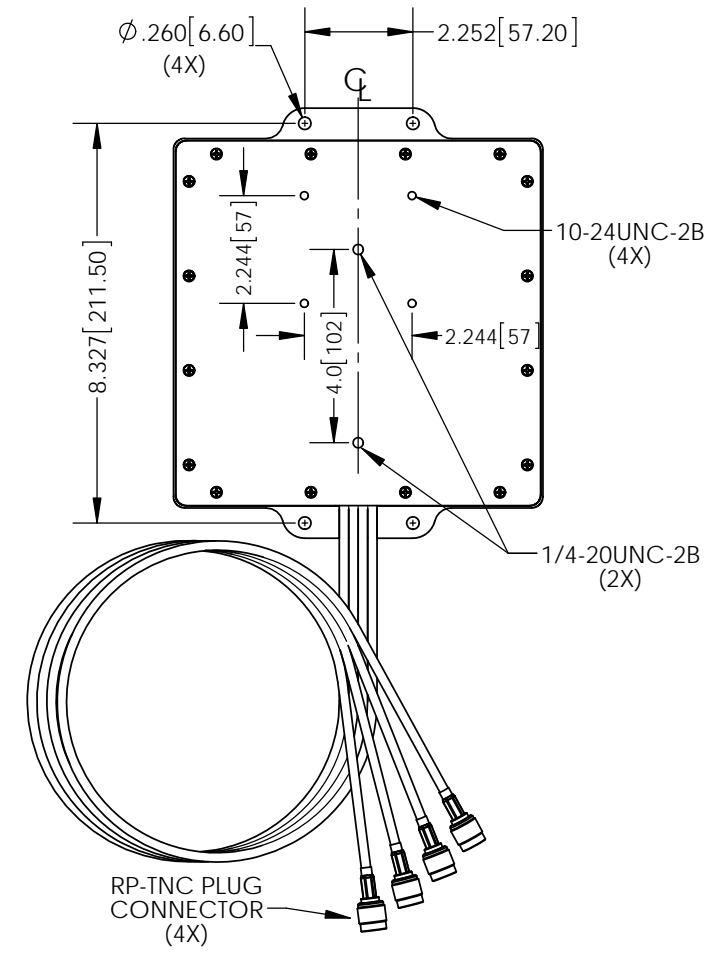
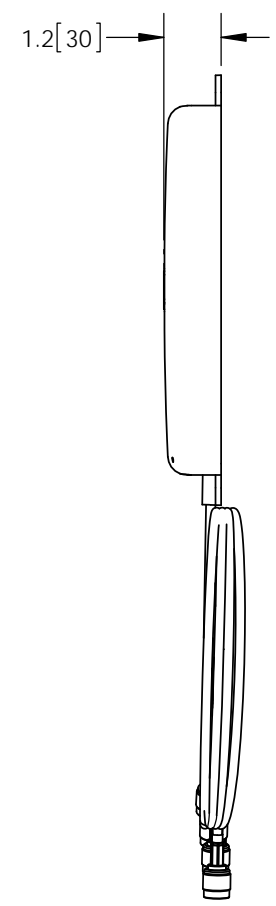
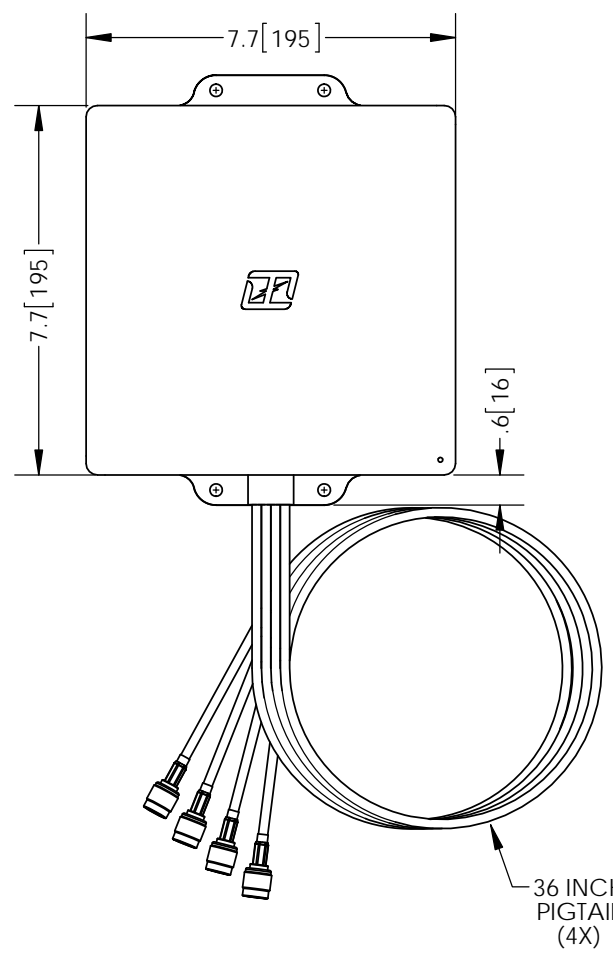


THE INFORMATION CONTAINED IN THIS DRAWING IS THE SOLE PROPERTY OF L-COM, INC. ANY REPRODUCTION IN PART OR WHOLE WITHOUT THE WRITTEN PERMISSION OF L-COM, INC. IS PROHIBITED.

REVISIONS			
REV	DESCRIPTION	DATE	APPROVED
A	INITIAL RELEASE	4/7/16	D.GRIFFIN



NOTE:
1- EACH UNIT TO BE INDIVIDUALLY PACKAGED IN ACCORDANCE WITH L-COM SPEC PKG-00012

-ALL DIMENSIONS ARE FOR REFERENCE ONLY-

REGULATORY COMPLIANCE:
CE2011/65/EU(RoHS DIRECTIVE)

UNLESS OTHERWISE SPECIFIED, DIMENSIONS ARE IN INCHES [mm] DIMENSIONAL TOLERANCES: .X = ±.1 [2.54] .XX = ±.01 [.25] .XXX = ±.005 [.13] ANGULAR TOLERANCES: ALL = ± 1°	APPROVALS B.PUCHASKI	DATE 04/06/16		45 BEECHWOOD DRIVE NORTH ANDOVER, MA 01845	
	CHECKED BY P.PESA	DATE 04/06/16		CATEGORY ANTENNA	
	APPROVED BY P.PESA	DATE 04/06/16	PRODUCT DESCRIPTION 2.4/5.8GHz 8dBi DUAL POLARITY FLAT PANEL ANTENNA W(4X) 36 INCH PIGTAILS AND RP-TNC PLUG CONNECTORS		
	PROJECTION 	COLOR VARIATIONS MAY OCCUR	SIZE A	FSCM NO. 43321	DWG. NO. HG245808DP-4RTP36
		SCALE: NONE	CAD FILE: HG245808DP-4RTP36.SLDDRW	SHEET 1 OF 1	