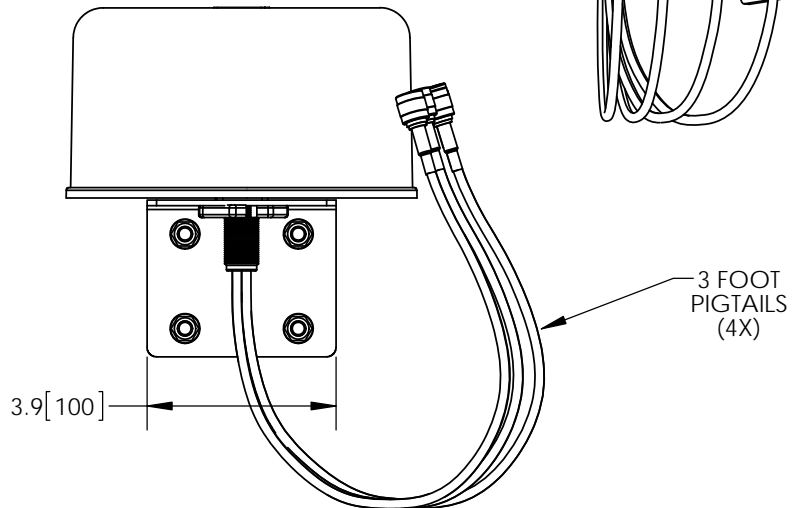
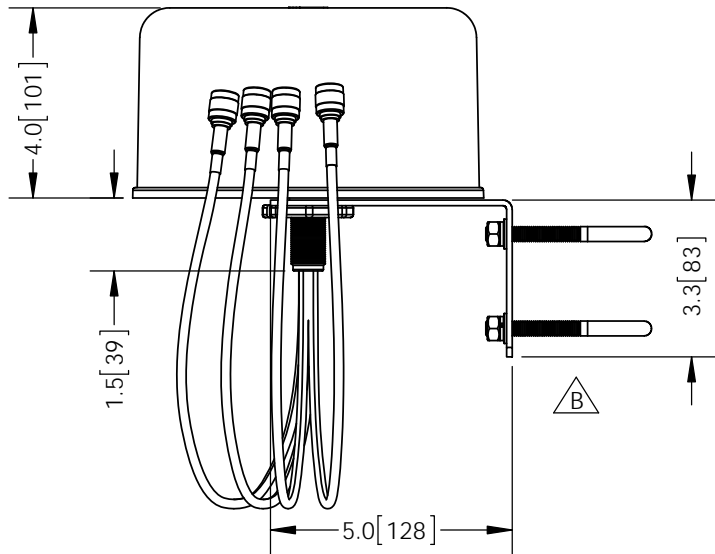
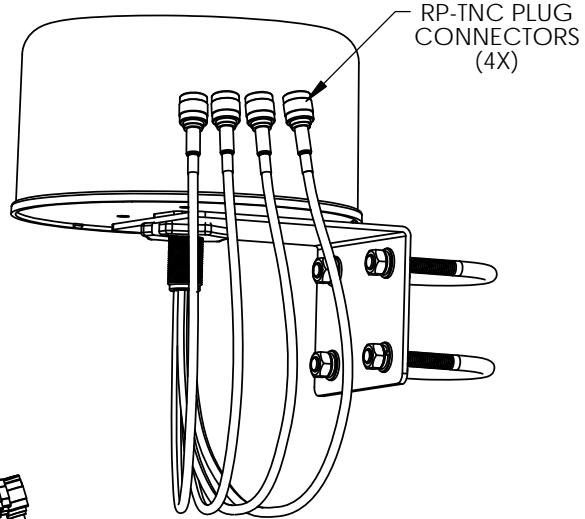
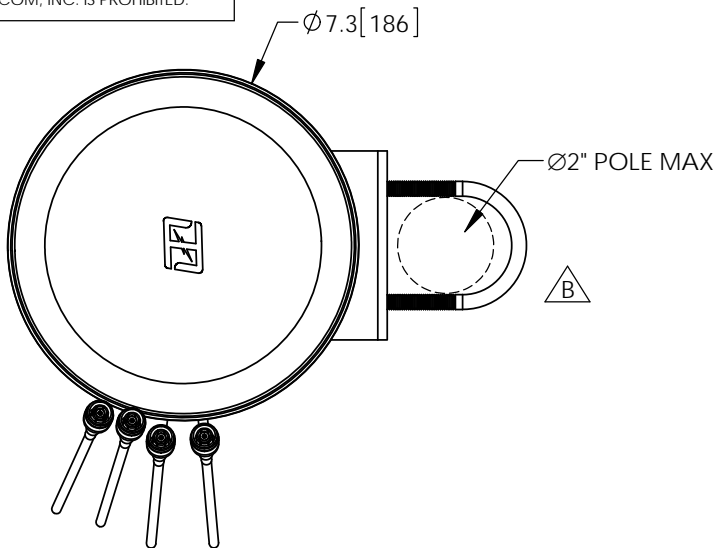


THE INFORMATION CONTAINED IN THIS DRAWING IS THE SOLE PROPERTY OF L-COM, INC. ANY REPRODUCTION IN PART OR WHOLE WITHOUT THE WRITTEN PERMISSION OF L-COM, INC. IS PROHIBITED.

REVISIONS			
REV	DESCRIPTION	DATE	APPROVED
A	INITIAL RELEASE	8/26/15	D.GRIFFIN
B	ECN8125 UPDATE MOUNTING BRACKET AND U-BOLT	10/06/15	B.PUCHASKI



NOTE:
1- EACH UNIT TO BE INDIVIDUALLY PACKAGED PER L-COM SPEC PKG-00094

- ALL DIMENSIONS FOR REFERENCE ONLY -

REGULATORY COMPLIANCE:
CE2011/65/EU (RoHS DIRECTIVE)

UNLESS OTHERWISE SPECIFIED, DIMENSIONS ARE IN INCHES [mm] DIMENSIONAL TOLERANCES: .X = ±.1 [2.54] .XX = ±.01 [25] .XXX = ±.005 [13] ANGULAR TOLERANCES: ALL = ± 1°	APPROVALS	DATE		45 BEECHWOOD DRIVE NORTH ANDOVER, MA 01845	
	DRAWN BY B.PUCHASKI	08/25/15			
	CHECKED BY P.PESA	08/25/15	CATEGORY	ANTENNA	
	APPROVED BY P.PESA	08/25/15	PRODUCT DESCRIPTION	2.4/5GHz 6dBi OMNI ANTENNA W/(4) RP-TNC PLUG CONNECTOR PIGTAILS	
PROJECTION 	COLOR VARIATIONS MAY OCCUR	SIZE A	FSCM NO. 43321	DWG. NO. HG245806U-4RTP	REV. B
		SCALE: NONE	CAD FILE: HG245806U-4RTP.SLDDRW	SHEET 1 OF 1	