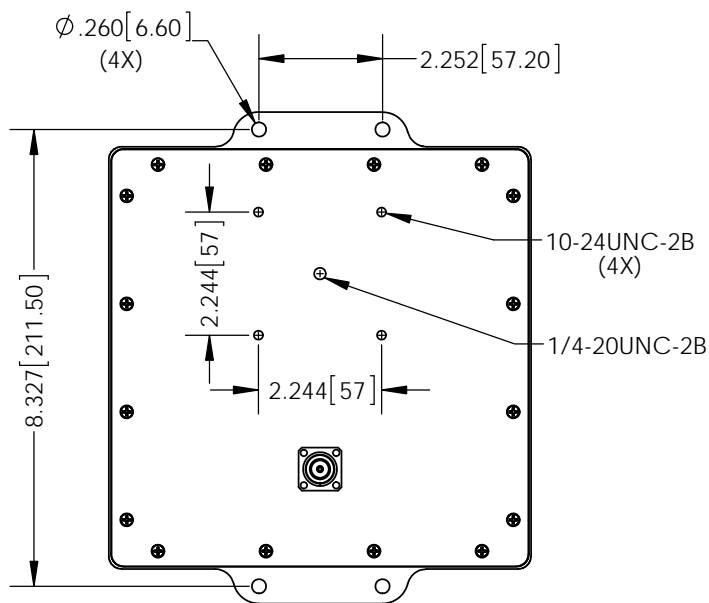
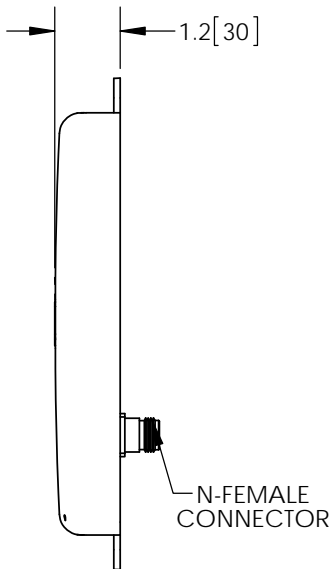
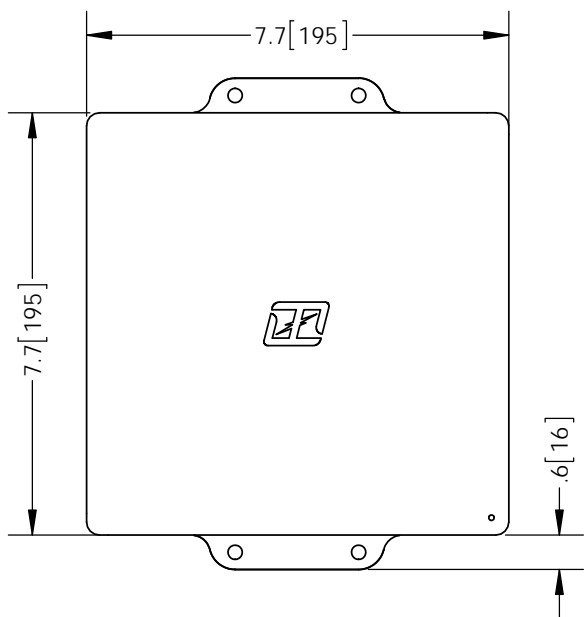
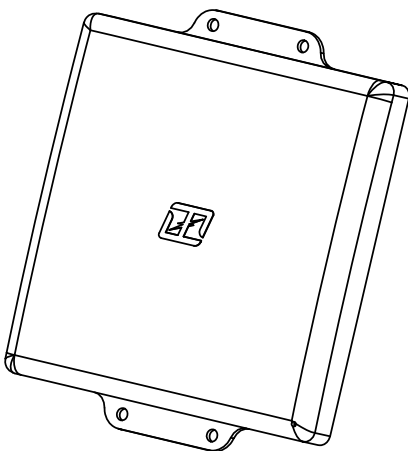


THE INFORMATION CONTAINED IN THIS DRAWING IS THE SOLE PROPERTY OF L-COM, INC. ANY REPRODUCTION IN PART OR WHOLE WITHOUT THE WRITTEN PERMISSION OF L-COM, INC. IS PROHIBITED.

REVISIONS			
REV	DESCRIPTION	DATE	APPROVED
A	INITIAL RELEASE PER D.FRISIELLO	3/20/14	D.FRISIELLO



**NOTE:**  
1- EACH UNIT TO BE INDIVIDUALLY PACKAGED IN ACCORDANCE WITH L-COM SPEC PKG-00012

-ALL DIMENSIONS ARE FOR REFERENCE ONLY-

**REGULATORY COMPLIANCE:**  
CE2011/65/EU(RoHS DIRECTIVE)

UNLESS OTHERWISE SPECIFIED, DIMENSIONS ARE IN INCHES [mm]  DIMENSIONAL TOLERANCES: .X = ±.1 [2.54] .XX = ±.01 [.25] .XXX = ±.005 [.13]  ANGULAR TOLERANCES: ALL = ± 1°	APPROVALS	DATE	 45 BEECHWOOD DRIVE NORTH ANDOVER, MA 01845	
	DRAWN BY B.PUCHASKI	03/19/14		CATEGORY <b>ANTENNA</b>
	CHECKED BY P.PESA	03/19/14		PRODUCT DESCRIPTION <b>2.4/5.8GHz 9/11dBi FLAT PANEL ANTENNA W/ N-FEMALE CONNECTOR</b>
APPROVED BY P.PESA	03/19/14	CONFIGURATION DETAILS OF UNDIMENSIONED FEATURES MAY VARY	SIZE <b>A</b> FSCM NO. <b>43321</b> DWG. NO. <b>HG2458-11P</b> REV. <b>A</b>	
PROJECTION 	COLOR VARIATIONS MAY OCCUR	SCALE: NONE	CAD FILE: HG2458-11P.SLDDRW	
			SHEET 1 OF 1	