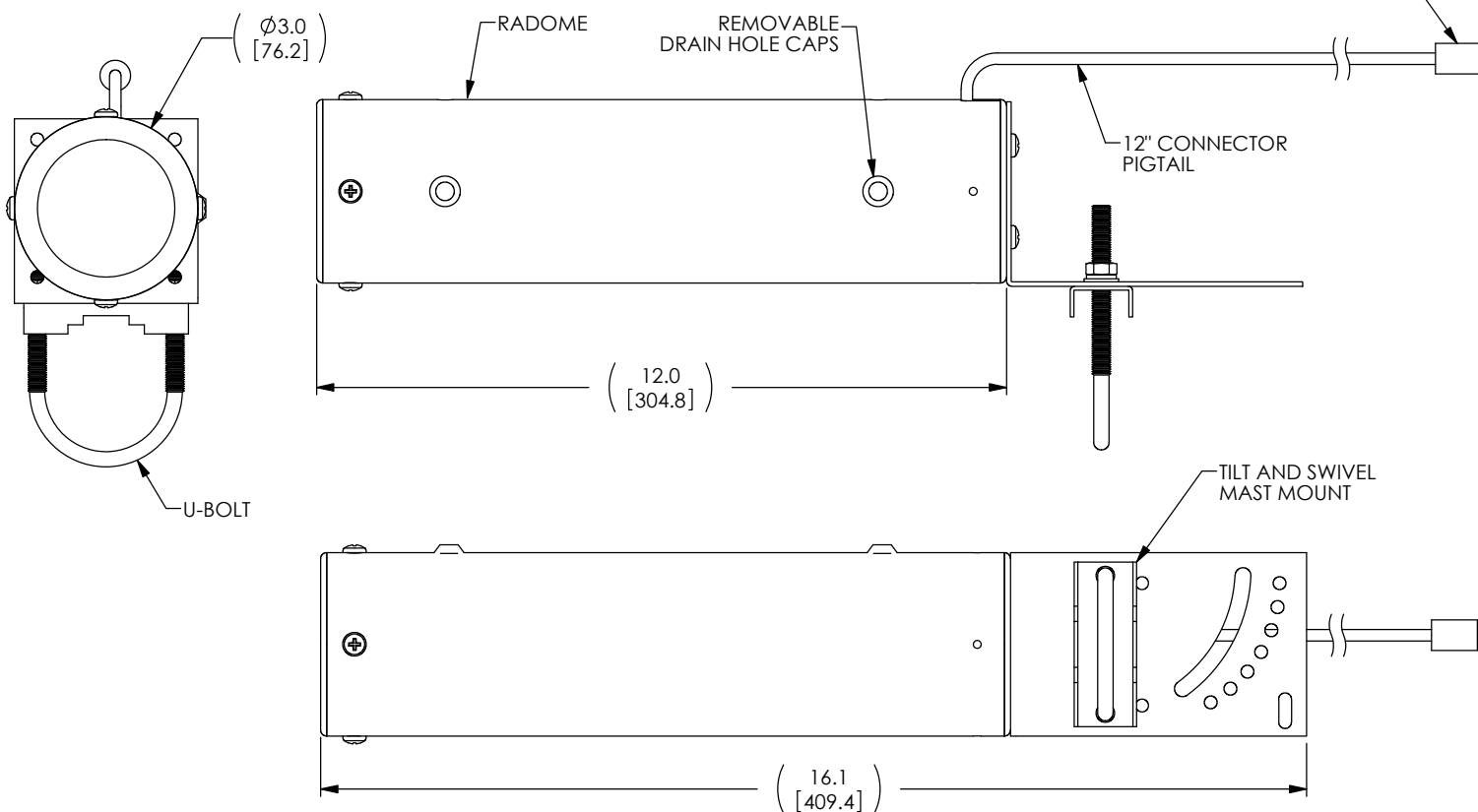


THE INFORMATION CONTAINED IN THIS DRAWING IS THE SOLE PROPERTY OF L-COM, INC. ANY REPRODUCTIONS IN PART OR WHOLE WITHOUT THE WRITTEN PERMISSION OF L-COM, INC. IS PROHIBITED.

| REVISIONS |   |          |            |
|-----------|---|----------|------------|
| REV       | DESCRIPTION                                     | DATE     | CHANGED BY |
| A         | INITIAL RELEASE                                 | 1/13/11  | D.GRIFFIN  |
| B         | ECN 7424 REMOVE SUFFIX AM FROM CONNECTOR CHART  | 5/07/14  | B.PUCHASKI |
| C         | ECN 8335 UPDATE CONNECTOR CHART WITH QP AND QPR | 05/17/16 | B.PUCHASKI |



| MODEL# HG2412Y- |                            |
|-----------------|----------------------------|
| SUFFIX          | CONNECTOR TYPE             |
| NF              | N-FEMALE                   |
| NM              | N-MALE                     |
| RSP             | RP SMA-PLUG                |
| RSJ             | RP SMA-JACK                |
| RTP             | RP TNC-PLUG                |
| RTJ             | RP TNC-JACK                |
| RNP             | RP N-PLUG                  |
| RNJ             | RP N-JACK                  |
| SM              | SMA MALE                   |
| SF              | SMA FEMALE                 |
| TM              | TNC MALE                   |
| TF              | TNC FEMALE                 |
| BM              | BNC MALE                   |
| RBP             | RP BNC PLUG                |
| RBJ             | RP BNC JACK                |
| WM              | WAVE RIDER COMPATIBLE TYPE |
| QPR             | QMA PLUG RIGHT ANGLE       |
| QP              | QMA PLUG                   |

**NOTES:**

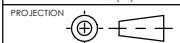
1. ANTENNA ASSEMBLY SHALL BE INDIVIDUALLY PACKAGED IN ACCORDANCE WITH L-COM SPECIFICATION PKG-00012.

**REGULATORY COMPLIANCE:**  
CE2011/65/EU (RoHS DIRECTIVE)

UNLESS OTHERWISE SPECIFIED, DIMENSIONS ARE IN INCHES (mm)  
 OVERALL CABLE LENGTH TOLERANCE:  
 ≤12 (305) ±.01 (25) / -0  
 >12 (305) ≤60 (1524) = +.015 (1) / -0  
 >60 (1524) ≤120 (3048) = +.02 (51) / -0  
 >120 (3048) ≤300 (7620) = +.04 (1.02) / -0  
 >300 (7620) = +.05 (1.28) / -0  
 ALL OTHER DIMENSIONAL TOLERANCES:  
 X = ±.2 (5.08)  
 XX = ±.02 (51)  
 XXX = ±.005 (1.27)

| APPROVALS               | DATE    |
|-------------------------|---------|
| DRAWN BY<br>D. RISFIELD | 1/10/11 |
| CHECKED BY<br>P. PESA   | 1/10/11 |
| APPROVED BY<br>P. PESA  | 1/10/11 |

CONFIGURATION DETAILS OF UNDIMENSIONED FEATURES MAY VARY  
 COLOR VARIATIONS MAY OCCUR



|  |                 |  |              |
|--|-----------------|--|--------------|
|  |                 | 50 HIGH STREET<br>NORTH ANDOVER, MA<br>01845 |              |
| CATEGORY: ANTENNA                            |                 |  |              |
| PRODUCT DESCRIPTION: ANT, YAGI 2.4 GHz 12dBi |                 |  |              |
| SIZE: <b>B</b>                               | FSCM NO.: 43321 | DWG. NO.: HG2412Y                            | REV.: C      |
| SCALE: 1:1                                   |                 | CAD FILE: HG2412Y.SLDDRW                     |              |
|  |                 |  | SHEET 1 OF 1 |