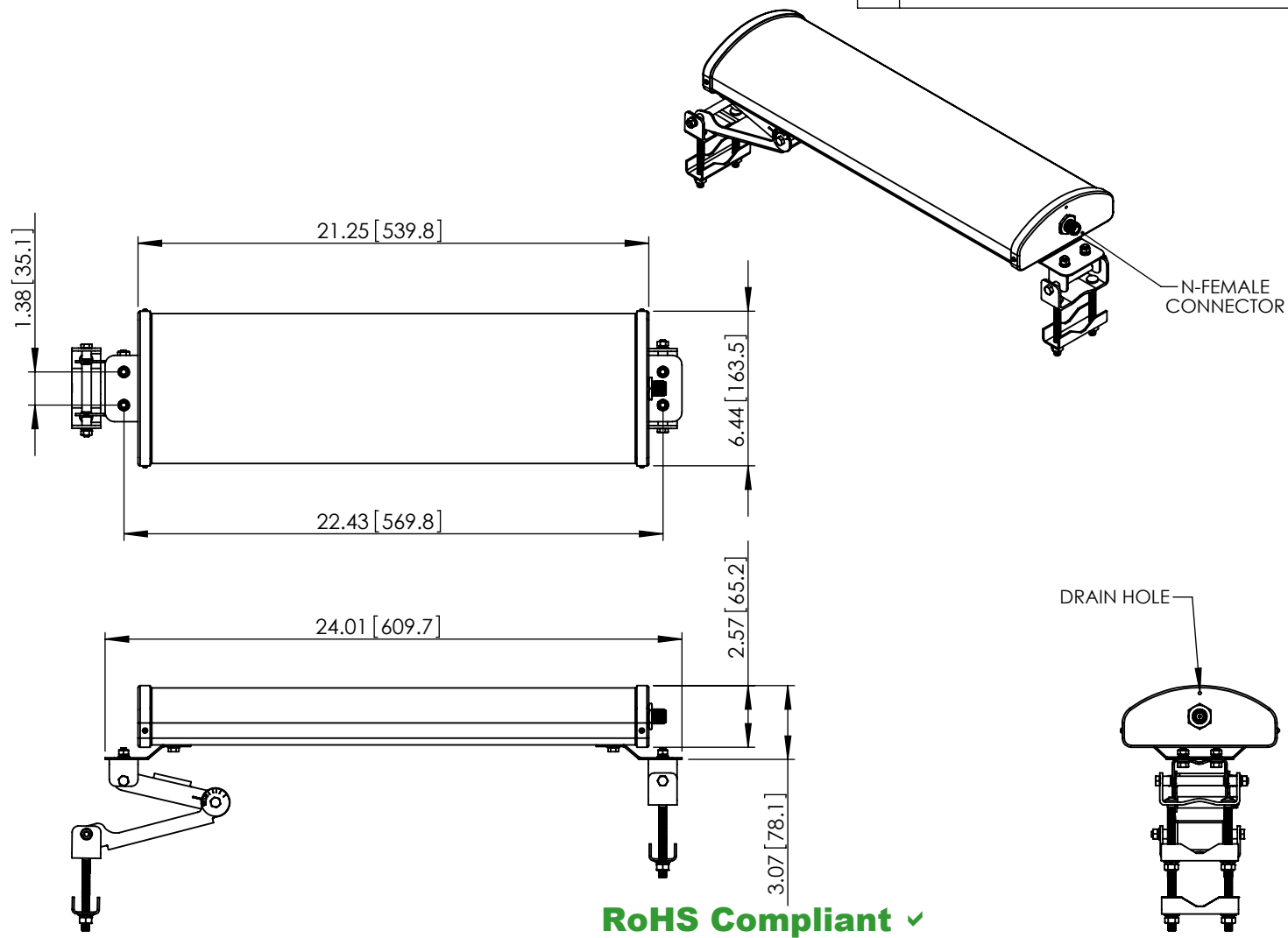



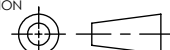
THE INFORMATION CONTAINED IN THIS DRAWING IS THE SOLE PROPERTY OF L-COM, INC. ANY REPRODUCTION IN PART OR WHOLE WITHOUT THE WRITTEN PERMISSION OF L-COM, INC. IS PROHIBITED.

REVISIONS			
REV	DESCRIPTION	DATE	APPROVED
A	INITIAL RELEASE	10/18/12	D.GRIFFIN



**RoHS Compliant** ✓

NOTES:  
 PACKAGING:  
 COMPONENT SHALL BE PACKAGED IN ACCORDANCE WITH L-COM SPEC PKG-00010.  
 - ALL DIMENSIONS FOR REFERENCE ONLY -

UNLESS OTHERWISE SPECIFIED, DIMENSIONS ARE IN INCHES [mm]  DIMENSIONAL TOLERANCES: .X = ±.1 .XX = ±.01 .XXX = ±.005  ANGULAR TOLERANCES: ALL = ± 1°	APPROVALS	DATE	 45 BEECHWOOD DRIVE NORTH ANDOVER, MA 01845
	DRAWN BY B.PUCHASKI	10/16/12	
PROJECTION 	CHECKED BY P.PESA	10/16/12	CATEGORY <b>ANTENNA</b>
	APPROVED BY P.PESA	10/16/12	PRODUCT DESCRIPTION 2.4GHz 12dBi 180° SECTOR PANEL ANTENNA W/ N-FEMALE CONNECTOR
	COLOR VARIATIONS MAY OCCUR	SIZE <b>A</b>	FSCM NO. <b>43321</b>
		DWG. NO. <b>HG2412P-180</b>	REV. <b>A</b>
		SCALE: NONE	CAD FILE: HG2412P-180.SLDDRW
			SHEET 1 OF 1