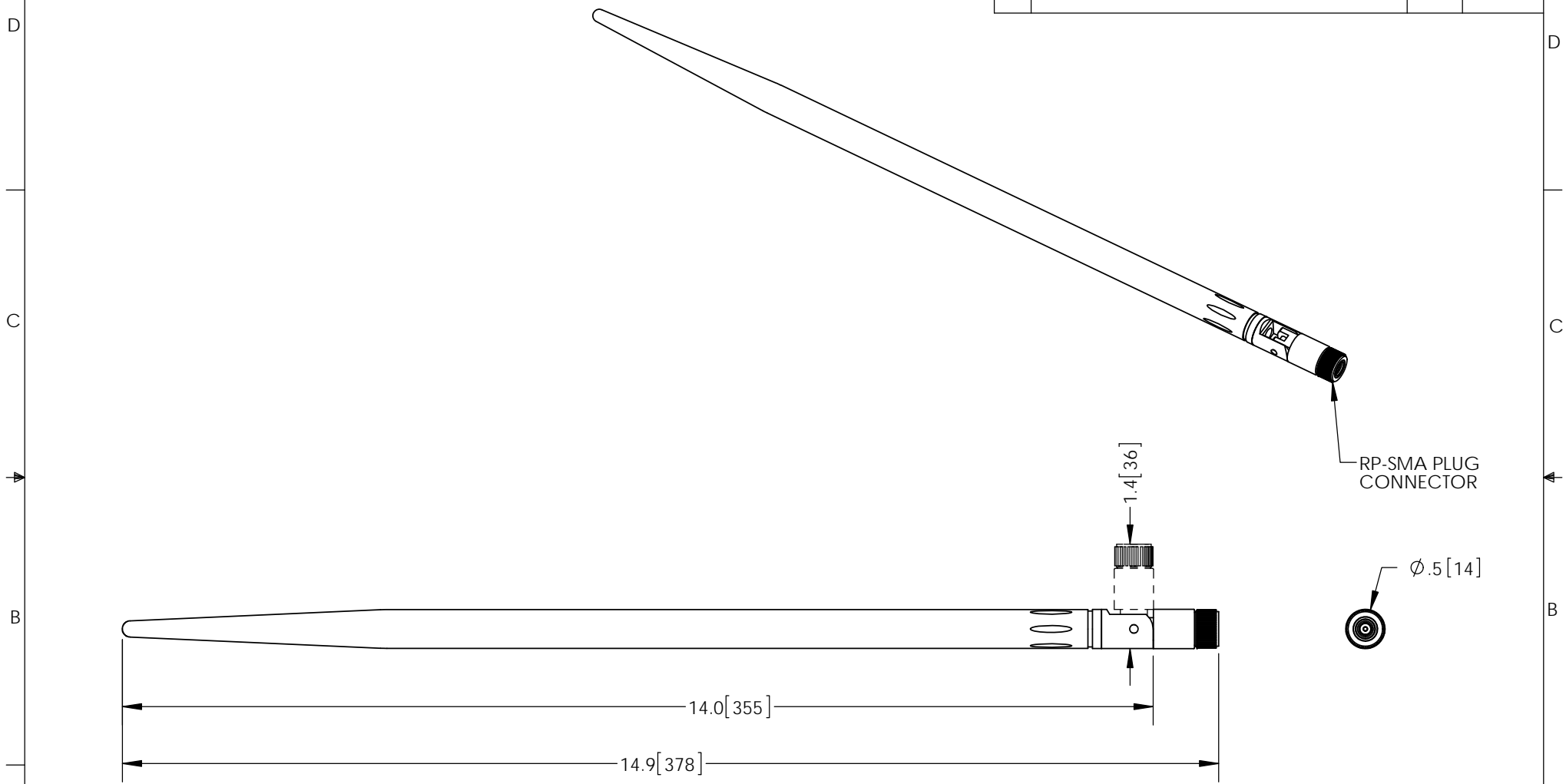


THE INFORMATION CONTAINED IN THIS DRAWING IS THE SOLE PROPERTY OF L-COM, INC. ANY REPRODUCTION IN PART OR WHOLE WITHOUT THE WRITTEN PERMISSION OF L-COM, INC. IS PROHIBITED.

REVISIONS			
REV	DESCRIPTION	DATE	APPROVED
A	INTERNAL RELEASE	10/25/11	B.PUCHASKI
B	ECN 8571 UPDATE PER CURRENT VENDOR	11/29/16	B.PUCHASKI



NOTES:

PACKAGING:
 COMPONENT SHALL BE INDIVIDUALLY PACKAGED IN ACCORDANCE WITH L-COM SPECIFICATION PKG-00031

REGULATORY COMPLIANCE:
 CE2011/65/EU(RoHS DIRECTIVE)

UNLESS OTHERWISE SPECIFIED, DIMENSIONS ARE IN INCHES [mm] DIMENSIONAL TOLERANCES: .X = ±.1 [2.54] .XX = ±.01 [2.5] .XXX = ±.005 [1.3] ANGULAR TOLERANCES: ALL = ± 1°	APPROVALS B.PUCHASKI	DATE 10/25/11			50 HIGH STREET NORTH ANDOVER, MA 01845	
	CHECKED BY P.PESA	10/25/11	CATEGORY ANTENNA			
	APPROVED BY P.PESA	10/25/11	PRODUCT DESCRIPTION 2.4GHz 7dBi RUBBER DUCK ANTENNA W/ RP-SMA PLUG CONNECTOR			
	PROJECTION 	COLOR VARIATIONS MAY OCCUR	SIZE A	FSCM NO. 43321	DWG. NO. HG2407RD-RSP	REV. B
		SCALE: NONE	CAD FILE: HG2407RD-RSP.SLDDRW		SHEET 1 OF 1	