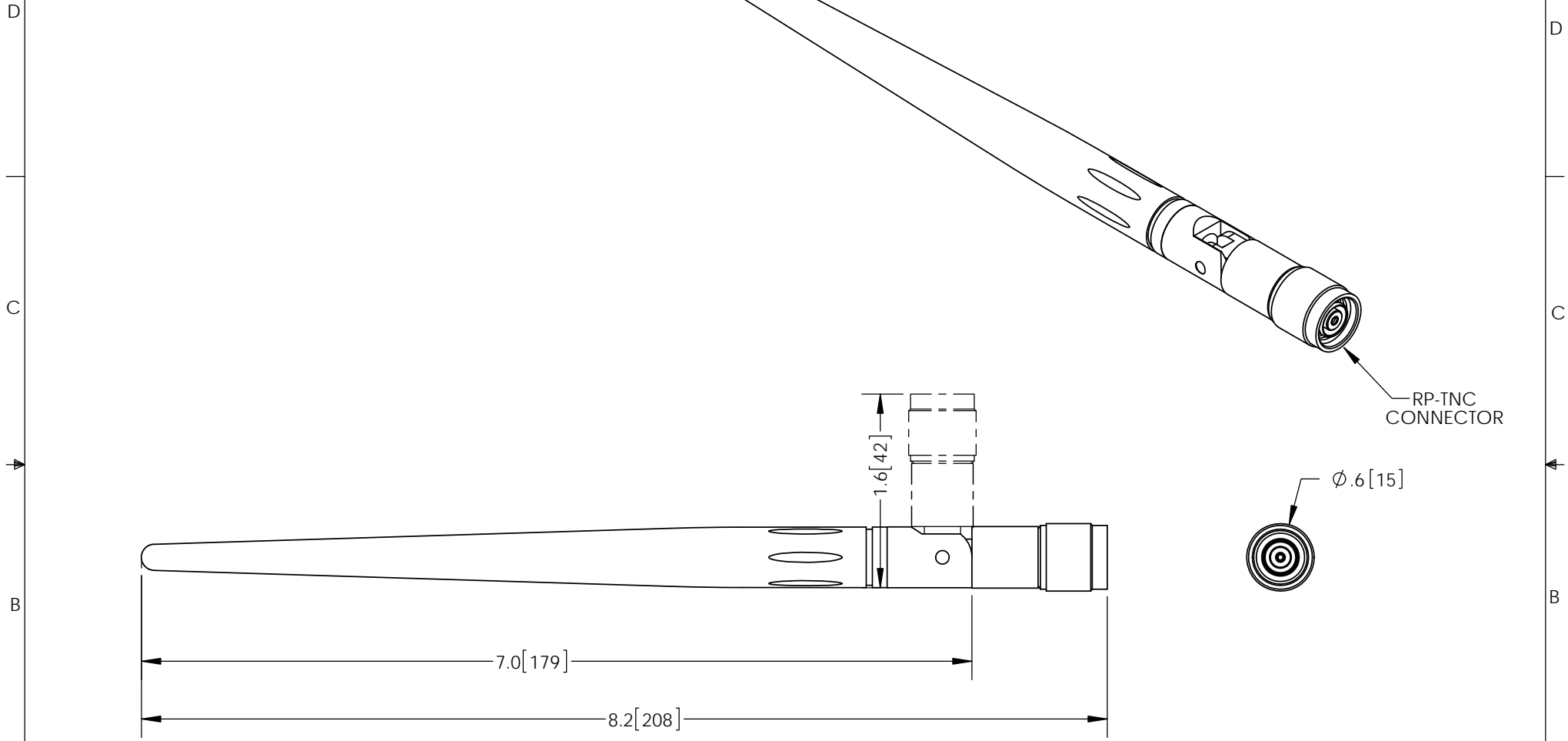


THE INFORMATION CONTAINED IN THIS DRAWING IS THE SOLE PROPERTY OF L-COM, INC. ANY REPRODUCTION IN PART OR WHOLE WITHOUT THE WRITTEN PERMISSION OF L-COM, INC. IS PROHIBITED.

REVISIONS			
REV	DESCRIPTION	DATE	APPROVED
A	INITIAL RELEASE	12/05/11	D.GRIFFIN
B	ECN 8615 UPDATE PER NEW DESIGN	01/26/17	B.PUCHASKI



NOTES:

PACKAGING:
COMPONENT SHALL BE INDIVIDUALLY PACKAGED IN ACCORDANCE WITH L-COM SPECIFICATION PKG-00031

- ALL DIMENSIONS FOR REFERENCE -

REGULATORY COMPLIANCE:
CE2011/65/EU(RoHS DIRECTIVE)

UNLESS OTHERWISE SPECIFIED, DIMENSIONS ARE IN INCHES [mm] DIMENSIONAL TOLERANCES: .X = ±.1 [2.54] .XX = ±.01 [.25] .XXX = ±.005 [.13] ANGULAR TOLERANCES: ALL = ± 1°	APPROVALS	DATE	50 HIGH STREET NORTH ANDOVER, MA 01845		
	DRAWN BY B.PUCHASKI	12/01/11			CATEGORY
	CHECKED BY P.PESA	12/01/11	PRODUCT DESCRIPTION		2.4GHz 5dBi RUBBER DUCK ANTENNA W/ RP-TNC PLUG CONNECTOR
	APPROVED BY P.PESA	12/01/11	SIZE	FSCM NO.	
PROJECTION	COLOR VARIATIONS MAY OCCUR	SCALE: NONE	CAD FILE: HG2405RD-RTP.SLDDRW	SHEET 1 OF 1	

A

A