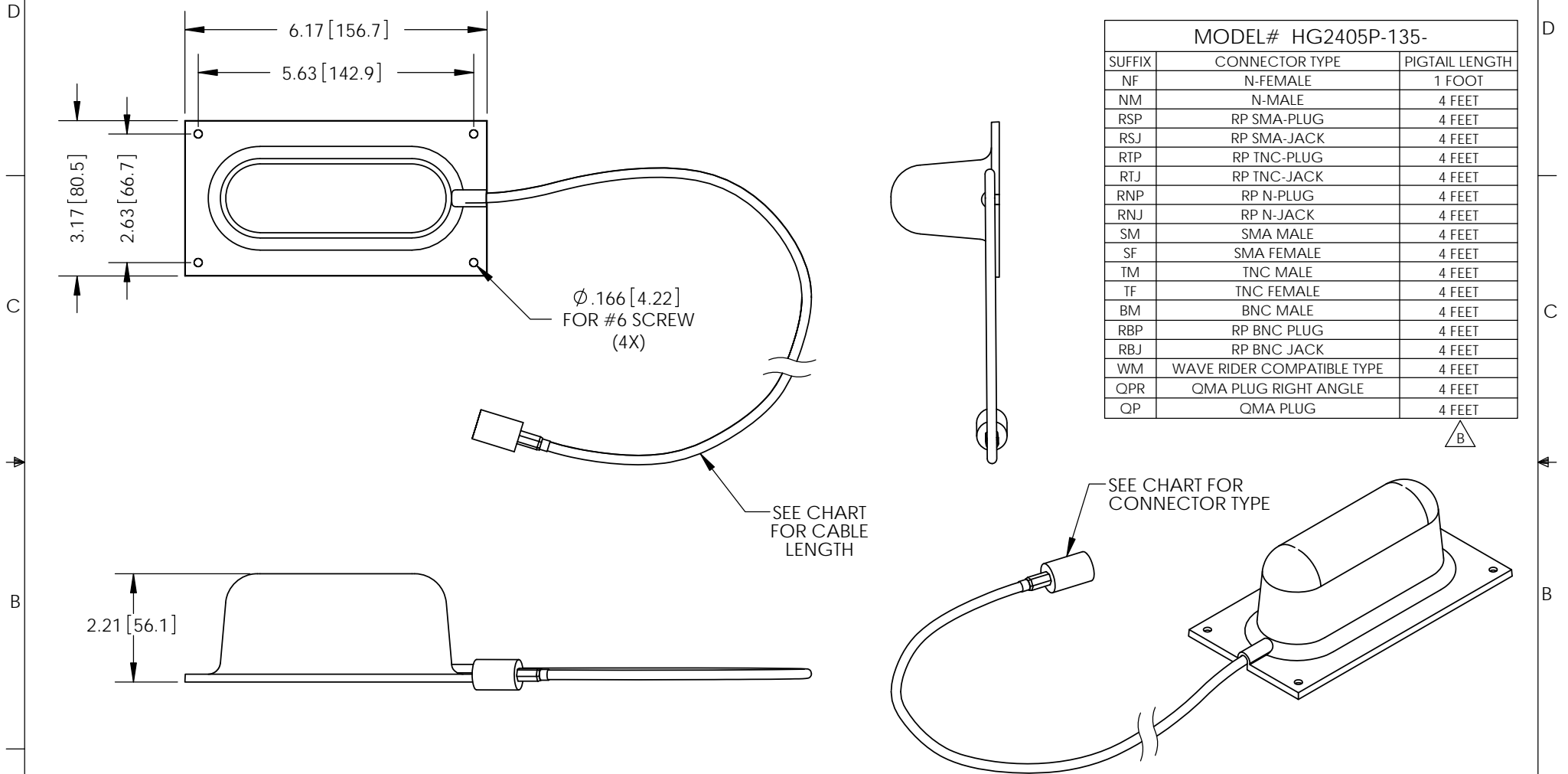


THE INFORMATION CONTAINED IN THIS DRAWING IS THE SOLE PROPERTY OF L-COM, INC. ANY REPRODUCTION IN PART OR WHOLE WITHOUT THE WRITTEN PERMISSION OF L-COM, INC. IS PROHIBITED.

REVISIONS			
REV	DESCRIPTION	DATE	APPROVED
A	INITIAL RELEASE	06/08/11	B.PUCHASKI
B	ECN 8249 ADD CABLE LENGTHS TO CHART	06/20/16	B.PUCHASKI



MODEL# HG2405P-135-		
SUFFIX	CONNECTOR TYPE	PIGTAIL LENGTH
NF	N-FEMALE	1 FOOT
NM	N-MALE	4 FEET
RSP	RP SMA-PLUG	4 FEET
RSJ	RP SMA-JACK	4 FEET
RTP	RP TNC-PLUG	4 FEET
RTJ	RP TNC-JACK	4 FEET
RNP	RP N-PLUG	4 FEET
RNJ	RP N-JACK	4 FEET
SM	SMA MALE	4 FEET
SF	SMA FEMALE	4 FEET
TM	TNC MALE	4 FEET
TF	TNC FEMALE	4 FEET
BM	BNC MALE	4 FEET
RBP	RP BNC PLUG	4 FEET
RBJ	RP BNC JACK	4 FEET
WM	WAVE RIDER COMPATIBLE TYPE	4 FEET
QPR	QMA PLUG RIGHT ANGLE	4 FEET
QP	QMA PLUG	4 FEET

NOTES:

PACKAGING:
COMPONENT SHALL BE INDIVIDUALLY PACKAGED IN ACCORDANCE WITH L-COM SPECIFICATION PKG-00012

- ALL DIMENSIONS FOR REFERENCE ONLY -

REGULATORY COMPLIANCE:
CE2011/65/EU(RoHS DIRECTIVE)

UNLESS OTHERWISE SPECIFIED, DIMENSIONS ARE IN INCHES [mm] DIMENSIONAL TOLERANCES: .X = ±.1 [2.54] .XX = ±.01 [.25] .XXX = ±.005 [.13] ANGULAR TOLERANCES: ALL = ± 1°	APPROVALS	DATE	 50 HIGH STREET NORTH ANDOVER, MA 01845 CATEGORY ANTENNA PRODUCT DESCRIPTION 2.4GHz 5dBi PATCH ANTENNA W/ PIGTAIL AND CONNECTOR
	DRAWN BY B.PUCHASKI	06/08/11	
	CHECKED BY P.PESA	06/08/11	
APPROVED BY P.PESA	06/08/11	06/08/11	CONFIGURATION DETAILS OF UNDIMENSIONED FEATURES MAY VARY COLOR VARIATIONS MAY OCCUR SIZE A FSCM NO. 43321 DWG. NO. HG2405P-135 REV. B SCALE: NONE CAD FILE: HG2405P-135.SLDDRW SHEET 1 OF 1