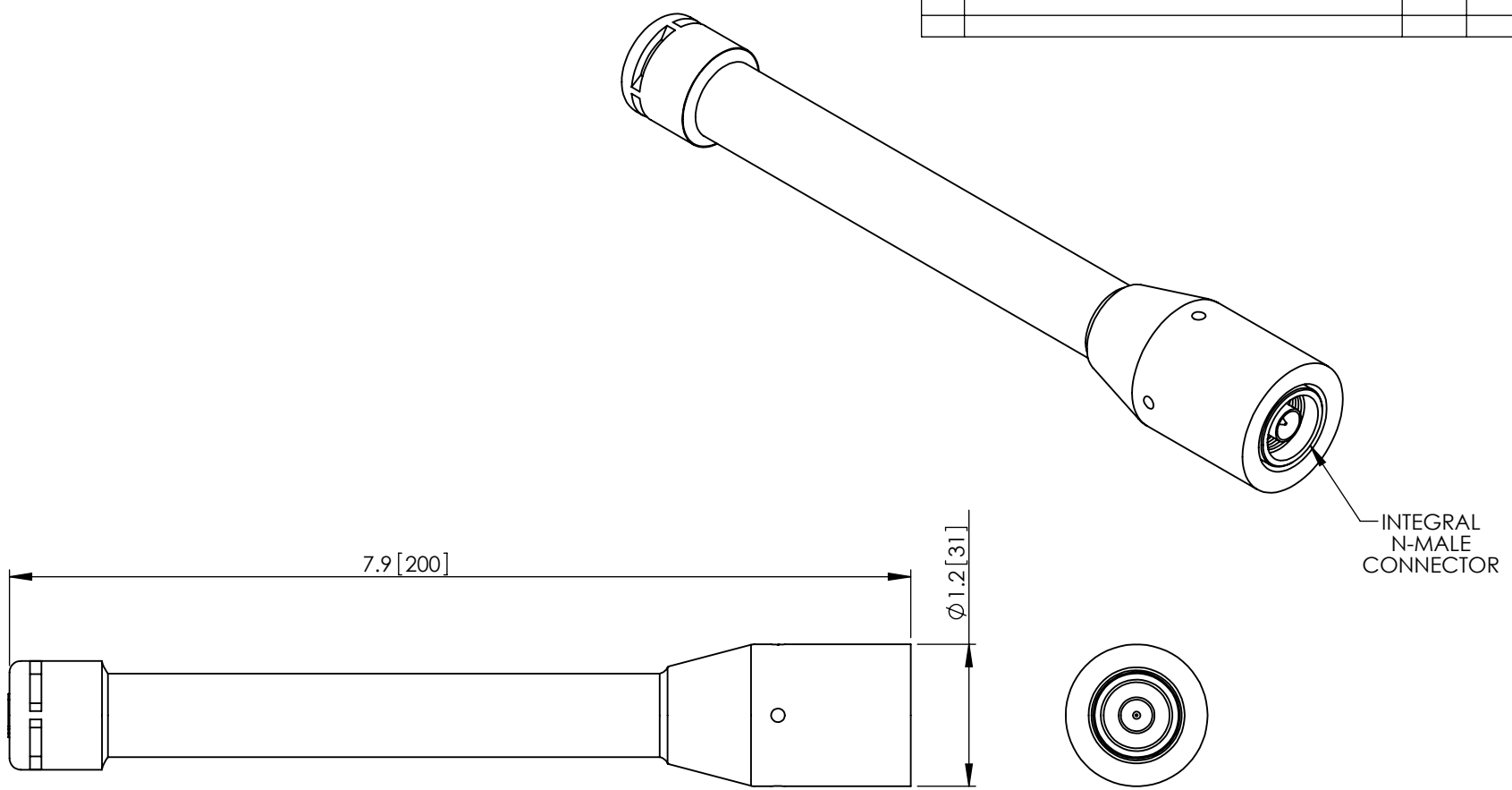


**The following drawing sheet(s) represent
components of:**

HG2404MGU

THE INFORMATION CONTAINED IN THIS DRAWING IS THE SOLE PROPERTY OF L-COM, INC. ANY REPRODUCTION IN PART OR WHOLE WITHOUT THE WRITTEN PERMISSION OF L-COM, INC. IS PROHIBITED.

REVISIONS			
REV	DESCRIPTION	DATE	APPROVED
A	INITIAL RELEASE	3/7/12	D.GRIFFIN
-	-	-	-



2.4 GHz 4dBi Omni Antenna
w/Integral N-Male Connector

RoHS Compliant ✓

NOTES:
 PACKAGING:
 COMPONENT SHALL BE INDIVIDUALLY PACKAGED IN ACCORDANCE WITH L-COM SPECIFICATION PKG-00012
 - ALL DIMENSIONS FOR REFERENCE ONLY -

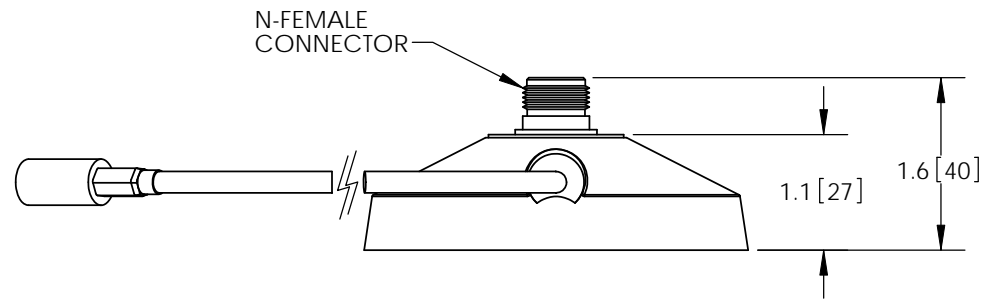
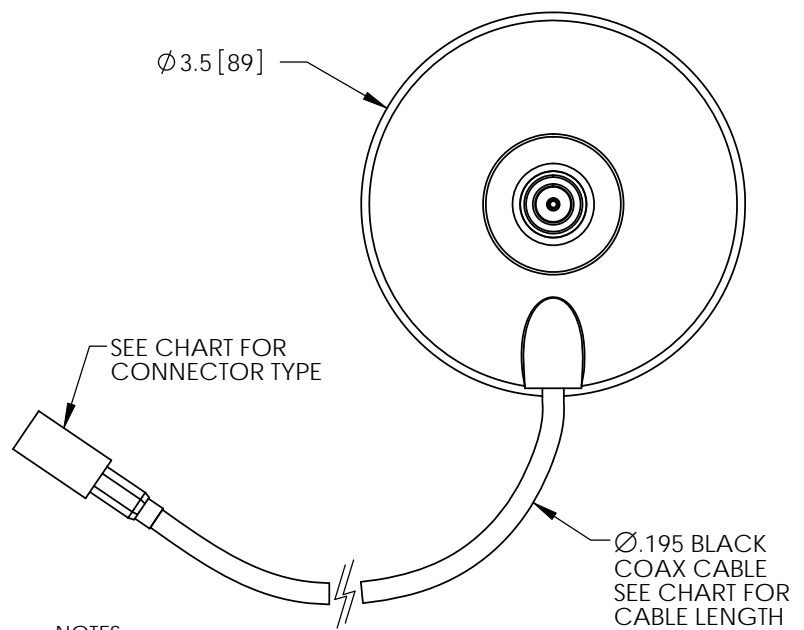
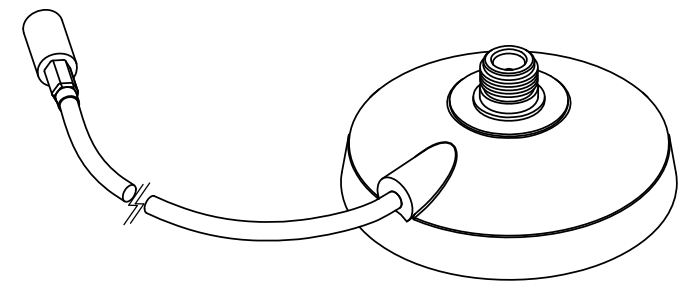
UNLESS OTHERWISE SPECIFIED, DIMENSIONS ARE IN INCHES [mm] DIMENSIONAL TOLERANCES: .X = ±.1 .XX = ±.01 .XXX = ±.005 ANGULAR TOLERANCES: ALL = ± 1°	APPROVALS	DATE		45 BEECHWOOD DRIVE NORTH ANDOVER, MA 01845	
	DRAWN BY B.PUCHASKI	03/06/12			
	CHECKED BY P.PESA	03/06/12	CATEGORY ANTENNA		
	APPROVED BY P.PESA	03/06/12	PRODUCT DESCRIPTION 2.4 GHz 4dBi OMNI ANTENNA W/ INTEGRAL N-MALE CONNECTOR		
PROJECTION 	COLOR VARIATIONS MAY OCCUR	SIZE A	FSCM NO. 43321	DWG. NO. HG2404U	REV. A
		SCALE: NONE	CAD FILE: HG2404U.SLDDRW		SHEET 1 OF 1

THE INFORMATION CONTAINED IN THIS DRAWING IS THE SOLE PROPERTY OF L-COM, INC. ANY REPRODUCTION IN PART OR WHOLE WITHOUT THE WRITTEN PERMISSION OF L-COM, INC. IS PROHIBITED.

MODEL# HMA3-XXXAYY	
1st SUFFIX(XXX) = CONNECTOR TYPE	2nd SUFFIX(YY) CABLE LENGTH(FT) 01 TO 10 FEET (+1 INCH, -0)
NF	N-FEMALE
NM	N-MALE
RSP	RP SMA-PLUG
RSJ	RP SMA-JACK
RTP	RP TNC-PLUG
RTJ	RP TNC-JACK
RNP	RP N-PLUG
RNJ	RP N-JACK
SM	SMA MALE
SF	SMA FEMALE
TM	TNC MALE
TF	TNC FEMALE
BM	BNC MALE
RBP	RP BNC PLUG
RBJ	RP BNC JACK
WM	WAVE RIDER COMPATIBLE TYPE
AM	ORINOCO COMPATIBLE TYPE
QP	QMA PLUG RIGHT ANGLE

EXAMPLE:
HMA3-NF02

REVISIONS			
REV	DESCRIPTION	DATE	APPROVED
A	INITIAL RELEASE	09/09/11	B.PUCHASKI
-	-	-	-
-	-	-	-



NOTES:
PACKAGING:
COMPONENT SHALL BE PACKAGED IN ACCORDANCE WITH L-COM SPEC PKG-00012.
-ALL DIMENSIONS FOR REFERENCE-

RoHS Compliant ✓

UNLESS OTHERWISE SPECIFIED, DIMENSIONS ARE IN INCHES [mm]	APPROVALS	DATE		45 BEECHWOOD DRIVE NORTH ANDOVER, MA 01845
	DRAWN BY B.PUCHASKI	09/09/11		
DIMENSIONAL TOLERANCES: .X = ±.1 .XX = ±.01 .XXX = ±.005	CHECKED BY P.PESA	09/09/11	CATEGORY	
	APPROVED BY P.PESA	09/09/11	ANTENNA MOUNT	
ANGULAR TOLERANCES: ALL = ± 1°	CONFIGURATION DETAILS OF UNDIMENSIONED FEATURES MAY VARY		PRODUCT DESCRIPTION	
PROJECTION	COLOR VARIATIONS MAY OCCUR		DOMED MAGNETIC ANTENNA MOUNT W/ COAX CABLE AND CONNECTOR	
	SIZE A	FSCM NO. 43321	DWG. NO. HMA3-XXXAYY	REV. A
SCALE: NONE		CAD FILE: HMA3-XXXAYY.SLDDRW		SHEET 1 OF 1