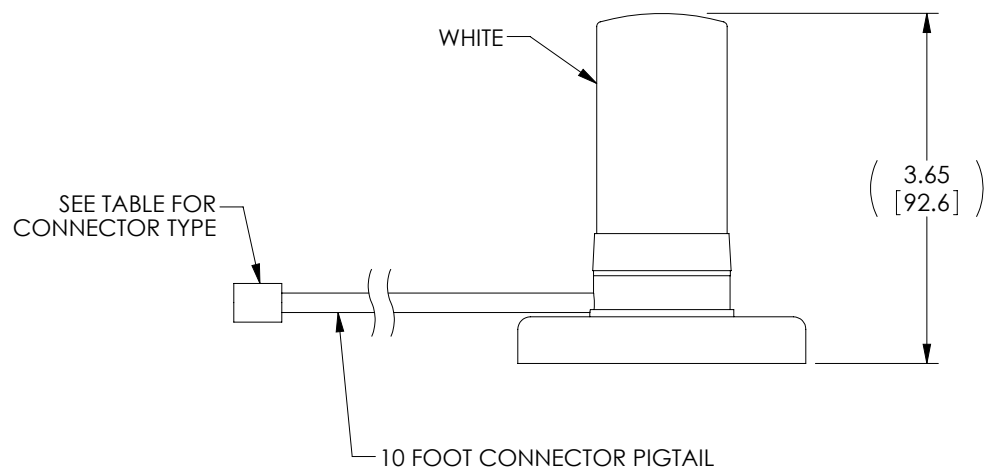
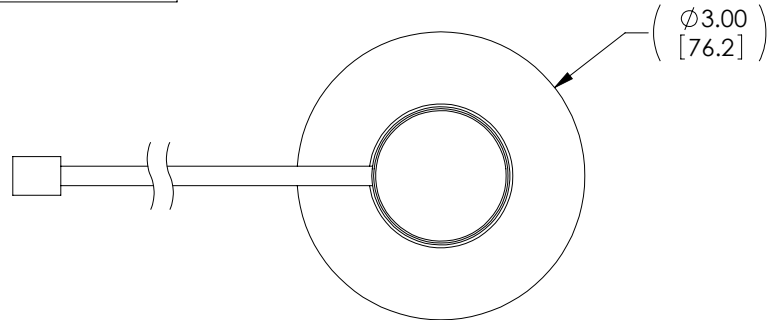


THE INFORMATION CONTAINED IN THIS DRAWING IS THE SOLE PROPERTY OF L-COM, INC. ANY REPRODUCTION IN PART OR WHOLE WITHOUT THE WRITTEN PERMISSION OF L-COM, INC. IS PROHIBITED.


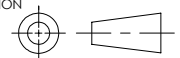
REVISIONS			
REV	DESCRIPTION	DATE	APPROVED
A	INITIAL RELEASE	3/17/11	D.GRIFFIN



MODEL HG2403MGURW-	
CONNECTOR SUFFIX	CONNECTOR TYPE
NF	N-FEMALE
NM	N-MALE
RSP	RP SMA-PLUG
RTP	RP TNC-PLUG
SM	SMA MALE
TM	TNC MALE

RoHS Compliant ✓

NOTES:
 1. ANTENNA ASSEMBLY SHALL BE INDIVIDUALLY PACKAGED IN ACCORDANCE WITH L-COM SPECIFICATION PKG-00012.

UNLESS OTHERWISE SPECIFIED, DIMENSIONS ARE IN INCHES [mm] OVERALL CABLE LENGTH TOLERANCE: ≤12 [305] = +1 [25] / -0 >12 [305] ≤60 [1524] = +2 [51] / -0 >60 [1524] ≤120 [3048] = +4 [102] / -0 >120 [3048] ≤300 [7620] = +6 [152] / -0 >300 [7620] = +3% / -0% ALL OTHER DIMENSIONAL TOLERANCES: .X = ±.2 .XX = ±.02 .XXX = ±.005	APPROVALS DRAWN BY D. CASTRO CHECKED BY K. BURGNER APPROVED BY K. BURGNER	DATE 3/4/11 3/9/11 3/9/11	 45 BEECHWOOD DRIVE NORTH ANDOVER, MA 01845	
	CONFIGURATION DETAILS OF UNDIMENSIONED FEATURES MAY VARY COLOR VARIATIONS MAY OCCUR	CATEGORY ANTENNAS		PRODUCT DESCRIPTION ANT,MAGMNT 2.4GHz 3dBi
PROJECTION 	SIZE A	FSCM NO. 43321	DWG. NO. HG2403MGURW	REV. A
SCALE: NONE		CAD FILE: HG2403MGURW.SLDDRW		SHEET 1 OF 1