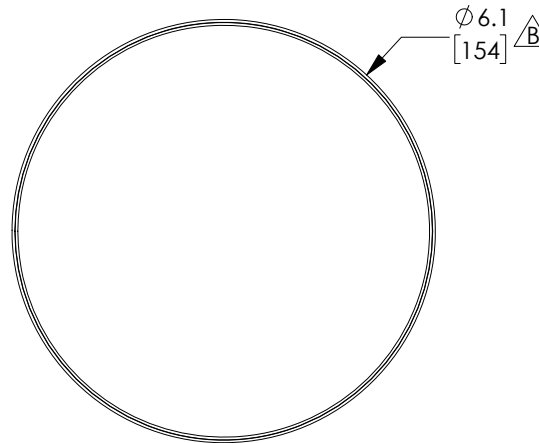
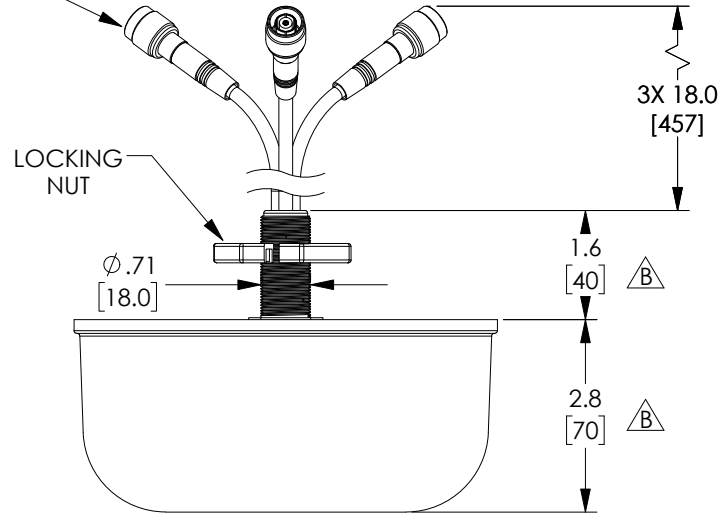


THE INFORMATION CONTAINED IN THIS DRAWING IS THE SOLE PROPERTY OF L-COM, INC. ANY REPRODUCTION IN PART OR WHOLE WITHOUT THE WRITTEN PERMISSION OF L-COM, INC. IS PROHIBITED.

REVISIONS			
REV	DESCRIPTION	DATE	APPROVED
A	INITIAL RELEASE	9/28/10	D.GRIFFIN
B	ECN 9098 UPDATE PER VENDOR SPECS	03/12/18	B.PUCHASKI

3X 50Ω CONNECTOR  
(RP-TNC SHOWN)  
SEE TABLE

FREQUENCY RANGE - MHz	2400 - 2500
GAIN - dBi	2.5
BANDWIDTH - MHz	100
VSWR	≤1.8
IMPEDANCE	50Ω
POLARIZATION	VERTICAL
MAX POWER	50W



PART NUMBER	CONNECTOR
HG2403-SDC-3NF	TYPE N FEMALE
HG2403-SDC-3NM	TYPE N MALE
HG2403-SDC-3RSP	REVERSE POLARITY SMA PLUG
HG2403-SDC-3RTP	REVERSE POLARITY TNC PLUG

NOTE:

- ALL DIMENSIONS ARE FOR REFERENCE ONLY.
- CEILING MOUNT
- SUITABLE FOR INDOOR USE
- APPLICATIONS:  
2.4G WLAN SYSTEM  
2.4G WiMax SYSTEM  
SUPPORTS IEEE 802.11b/g/n  
INDOOR HOTSPOT COVERAGE
- PACKAGE PER L-COM SPECIFICATION PKG-00022.

UNLESS OTHERWISE SPECIFIED, DIMENSIONS ARE IN INCHES [mm] OVERALL CABLE LENGTH TOLERANCE: ≤12 [305] = +1 [25] / -0 >12 [305] ≤60 [1524] = +2 [51] / -0 >60 [1524] ≤120 [3048] = +4 [102] / -0 >120 [3048] ≤300 [7620] = +6 [152] / -0 >300 [7620] = +5% / -0%	APPROVALS	DATE			50 HIGH STREET NORTH ANDOVER, MA 01845
	DRAWN BY D. PARHAM	09/27/2010			CHECKED BY D. FRISIELLO
ALL OTHER DIMENSIONAL TOLERANCES: .X = ±.2 [5.08] .XX = ±.02 [1.51] .XXX = ±.005 [1.13]	K. BLOMGREN	09/27/2010	CONFIGURATION DETAILS OF UNDIMENSIONED FEATURES MAY VARY		PRODUCT DESCRIPTION 2.4 GHz MIMO OMNI ANTENNA
PROJECTION 	COLOR VARIATIONS MAY OCCUR	SIZE <b>A</b>	FSCM NO. <b>43321</b>	DWG. NO. HG2403-SDC	REV. <b>B</b>
		SCALE: NONE	CAD FILE: HG2403-SDC.SLDDRW		SHEET 1 OF 1