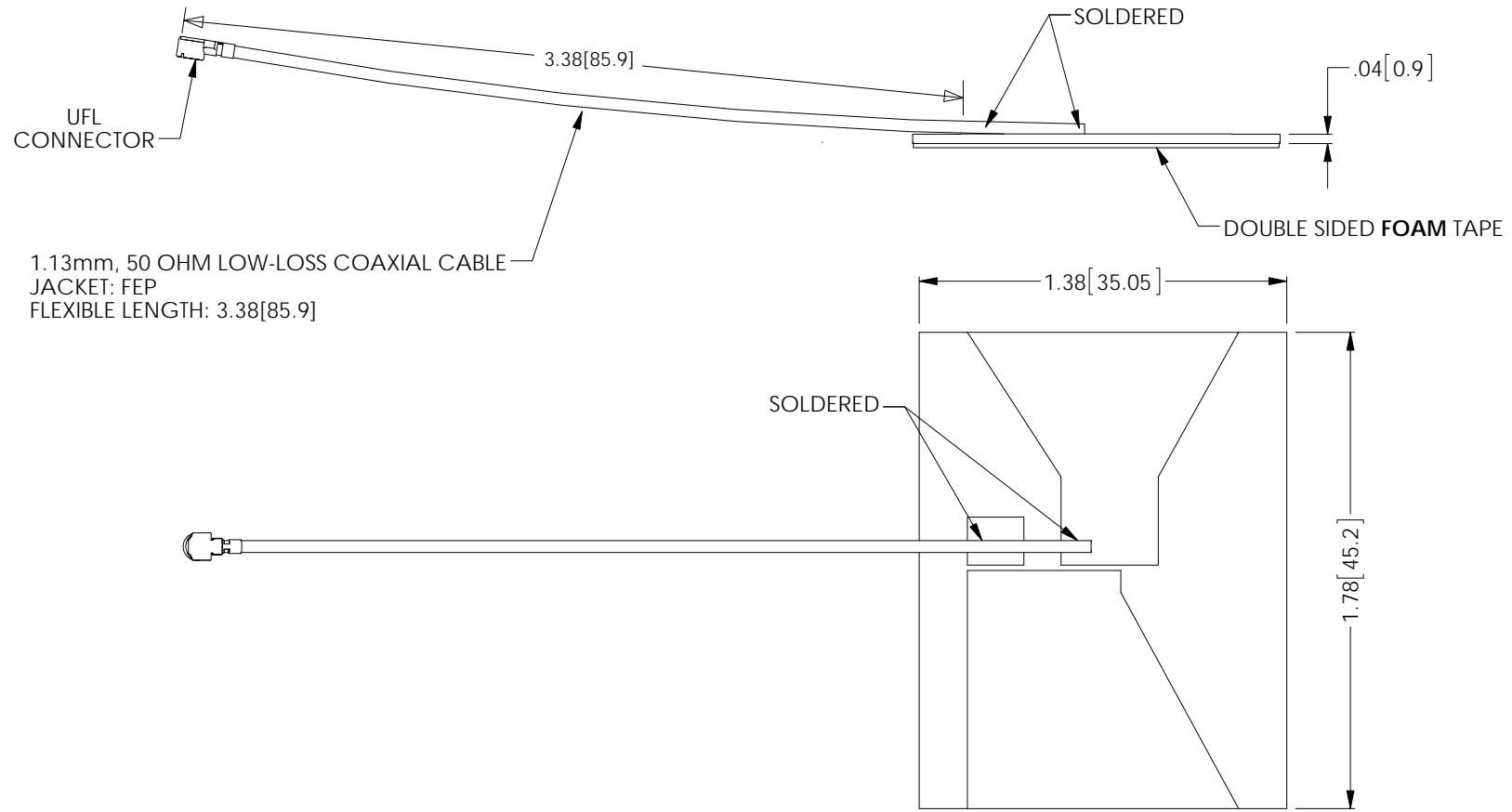


THE INFORMATION CONTAINED IN THIS DRAWING IS THE SOLE PROPERTY OF L-COM, INC. ANY REPRODUCTION IN PART OR WHOLE WITHOUT THE WRITTEN PERMISSION OF L-COM, INC. IS PROHIBITED.

REVISIONS			
REV	DESCRIPTION	DATE	APPROVED
A	INITIAL RELEASE	1/23/15	D.GRIFFIN



1.13mm, 50 OHM LOW-LOSS COAXIAL CABLE
 JACKET: FEP
 FLEXIBLE LENGTH: 3.38[85.9]

NOTES:

1. ASSEMBLY SHALL BE INDIVIDUALLY PACKAGED IN ACCORDANCE WITH L-COM SPECIFICATION PKG-00012.

-ALL DIMENSIONS FOR REFERENCE ONLY-

REGULATORY COMPLIANCE:
 CE2011/65/EU(RoHS DIRECTIVE)

UNLESS OTHERWISE SPECIFIED, DIMENSIONS ARE IN INCHES [mm] DIMENSIONAL TOLERANCES: .X = ±.1 [2.54] .XX = ±.01 [.25] .XXX = ±.005 [.13] ANGULAR TOLERANCES: ALL = ± 1°	APPROVALS B. PUCHASKI CHECKED BY K. BURGNER APPROVED BY P. PESA	DATE 01/22/15 01/22/15 01/22/15	45 BEECHWOOD DRIVE NORTH ANDOVER, MA 01845		
	CATEGORY ANTENNA			PRODUCT DESCRIPTION 2.4GHz 2dBi OMNI ANTENNA PCB W/ UFL CONNECTOR	
	CONFIGURATION DETAILS OF UNDIMENSIONED FEATURES MAY VARY		SCALE: NONE CAD FILE: HG2402PU-UFL.SLDDRW		
	PROJECTION 	COLOR VARIATIONS MAY OCCUR	SIZE A	FSCM NO. 43321	DWG. NO. HG2402PU-UFL