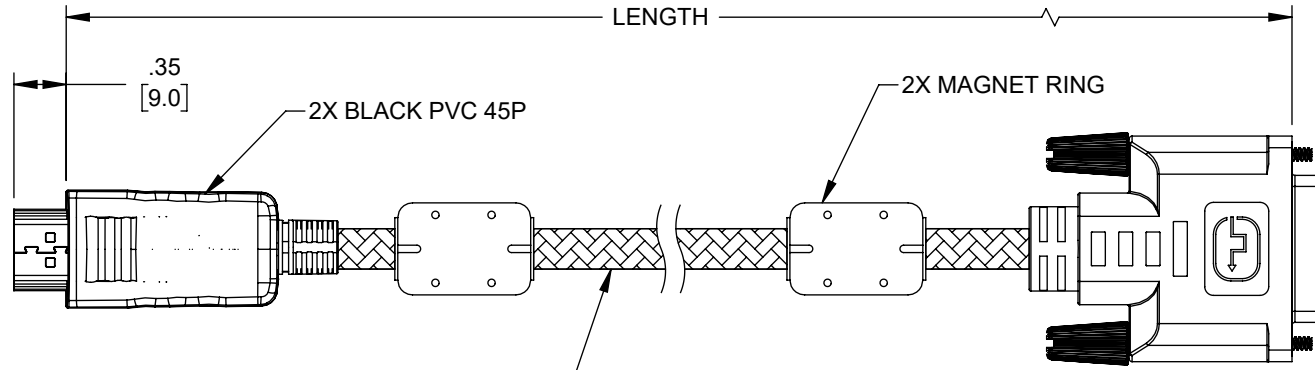


THE INFORMATION CONTAINED IN THIS DRAWING IS THE SOLE PROPERTY OF L-COM, INC. ANY REPRODUCTION IN PART OR WHOLE WITHOUT THE WRITTEN PERMISSION OF L-COM, INC. IS PROHIBITED.

REVISIONS			
REV	DESCRIPTION	DATE	APPROVED
A	INITIAL RELEASE	8/30/2022	DGUTTADAURO



**P1**  
HDMI AM 19P  
PIN/SHELL: GOLD PLATED

**P2**  
DVI24+1 AM  
PIN/SHELL: GOLD PLATED


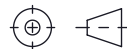
(1/0.23BC\*1P+D1/0.23BC+AL-FOIL+MY)\*5P+1/0.23BC\*4C+  
AL-FOIL+D1/0.23BC+B64/0.12AM  
JACKET: BLACK PVC OD: 6.0  
+BLACK THREE WIRE NYLON NET OD: 6.8±0.15mm

PIN ASSIGNMENT	
HDMI AM	DVI M
1	2
2	3
3	1
4	10
5	11
6	9
7	18
8	19
9	17
10	23
11	22
12	24
15	6
16	7
18	14
17	15
19	16
Shell	Shell

PART NUMBER	LENGTH	
	FEET	METERS
HDMIDVI-MM-F-05M	1.64	0.5 ± .02
HDMIDVI-MM-F-1M	3.28	1.0 ± .03
HDMIDVI-MM-F-2M	6.56	2.0 ± .03
HDMIDVI-MM-F-3M	9.84	3.0 ± .03

- NOTES:**
- CABLE ASSEMBLY SHALL BE TESTED FOR CONTINUITY.
  - CABLE ASSEMBLY SHALL BE INDIVIDUALLY PACKAGED IN ACCORDANCE WITH L-COM SPECIFICATION PS-0031.

**REGULATORY COMPLIANCE:**  
EU RoHS DIRECTIVE (MOST RECENT RELEASED VERSION)

UNLESS OTHERWISE SPECIFIED, DIMENSIONS ARE IN INCHES [mm] OVERALL CABLE LENGTH TOLERANCE: ≤12 [305] = +1 [25] / -0 >12 [305] ≤60 [1524] = +2 [51] / -0 >60 [1524] ≤120 [3048] = +4 [102] / -0 >120 [3048] ≤300 [7620] = +6 [152] / -0 >300 [7620] = +5% / -0 ALL OTHER DIMENSIONAL TOLERANCES: .X = ± .2 [5]   FRACTIONS ± 1/32 .XX = ± .02 [5]   ANGLES ± 1° .XXX = ± .005 [1.3]	APPROVALS	DATE	 50 High Street, West Mill, North Andover, MA 01845 USA. Phone: 1.800.341.5266 1.978.682.6936				
	DRAWN BY DMAY	8/18/2022		CATEGORY AUDIO/VIDEO			
THIRD-ANGLE PROJECTION 	CHECKED BY HBAKKE	8/30/2022	PRODUCT DESCRIPTION HDMI TO DVI MALE TO MALE WITH FERRITES, 1080P, NYLON BRAIDED CABLE				
	APPROVED BY DGUTTADAURO	8/30/2022	<table border="1"> <tr> <td>SIZE <b>A</b></td> <td>CAGE CODE <b>43321</b></td> <td>ITEM NO. HDMIDVI-MM-F</td> <td>REV. <b>A</b></td> </tr> </table>	SIZE <b>A</b>	CAGE CODE <b>43321</b>	ITEM NO. HDMIDVI-MM-F	REV. <b>A</b>
SIZE <b>A</b>	CAGE CODE <b>43321</b>	ITEM NO. HDMIDVI-MM-F	REV. <b>A</b>				
	CONFIGURATION DETAILS OF UNDIMENSIONED FEATURES MAY VARY	COLOR VARIATIONS MAY OCCUR	SCALE: NONE   CAD FILE: HDMIDVI-MM-F.SLDDRW   SHEET 1 OF 1				