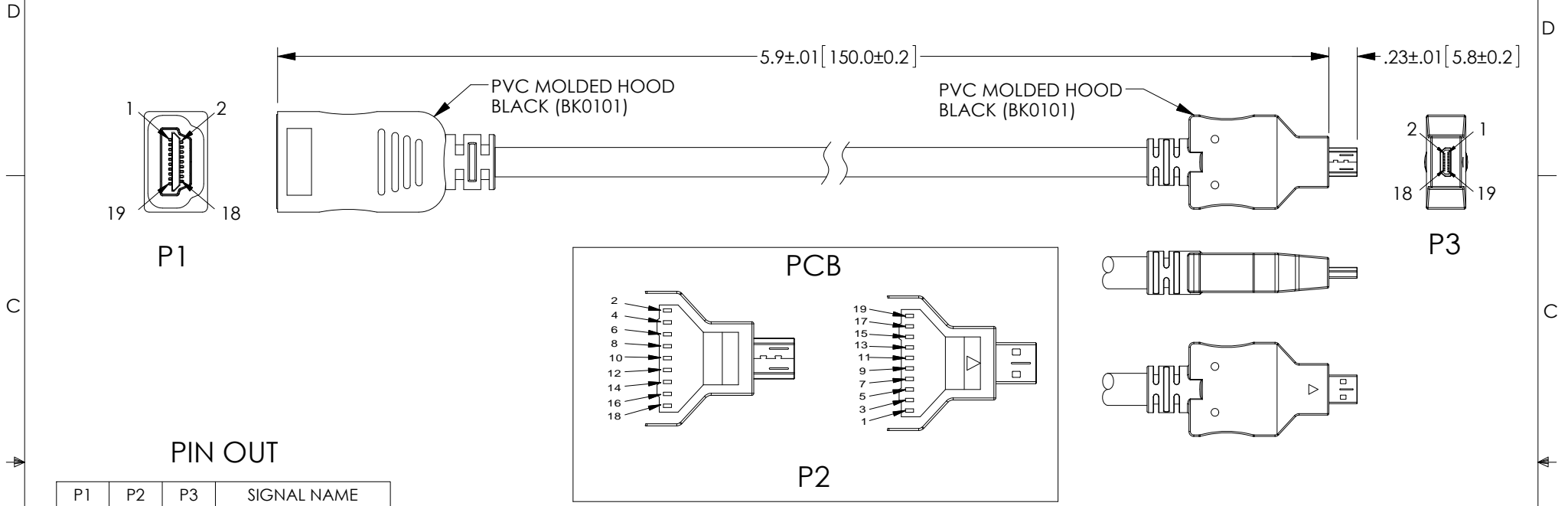


THE INFORMATION CONTAINED IN THIS DRAWING IS THE SOLE PROPERTY OF L-COM, INC. ANY REPRODUCTION IN PART OR WHOLE WITHOUT THE WRITTEN PERMISSION OF L-COM, INC. IS PROHIBITED.

REVISIONS			
REV	DESCRIPTION	DATE	APPROVED
A	INITIAL RELEASE	04/28/17	J.LABOY
B	ECN 8743: CHANGE PACKAGING SPEC FROM PKG-00012 TO PS-0031	05/01/17	J.LABOY



PIN OUT

P1	P2	P3	SIGNAL NAME
1	1	3	TMDS Data2+
3	3	5	TMDS Data2-
2	2	4	TMDS Data2 SHIELD
4	4	6	TMDS Data1+
6	6	8	TMDS Data1-
5	5	7	TMDS Data1 SHIELD
7	7	9	TMDS Data0+
9	9	11	TMDS Data0-
8	8	10	TMDS Data0 SHIELD
10	10	12	TMDS CLOCK+
12	12	14	TMDS CLOCK-
11	11	13	TMDS CLOCK- SHIELD
13	13	15	CEC
14	14	2	UTILITY
19	19	1	HOT PLUG DETECT
17	17	16	DDC/CED GROUND
15	15	17	SCL
16	16	18	SDA
18	18	19	+5V POWER
SHELL		SHELL	DRAIN

- NOTES:**
- CABLE: [(30AWG*7/0.10mm*1P+DAM) *5+30AWG*4C]+ADB
PVC OUTERJACKET (BK0101): V1.4 OD: 6.0± 0.20mm
HIGH SPEED HDMI CABLE W/ ETHERNET, UL LIST
 - CONNECTORS:
HDMI A/F, CONTACT:3U" GOLD PLT, SHELL 1U" GOLD PLT, INSULATION: BLACK
HDMI D/M, CONTACT:3U" GOLD PLT, SHELL 1U" GOLD PLT, INSULATION: BLACK
 - ELECTRICAL TEST:
(1)- 100% OPEN SHORT & MISS WIRE TEST
(2)- INSULATION: DC 300V/0.01s 10M OHM MIN.
(3)- CONDUCTOR RESISTANCE: 2 OHM

PACKAGING:
COMPONENT SHALL BE PACKAGED IN ACCORDANCE WITH L-COM SPEC PS-0031

REGULATORY COMPLIANCE:
CE 2011/65/EU(RoHS DIRECTIVE)

UNLESS OTHERWISE SPECIFIED, DIMENSIONS ARE IN INCHES [mm] OVERALL CABLE LENGTH TOLERANCE: ≤12 [305] = +1 [25] / -0 >12 [305] ≤60 [1524] = +2 [51] / -0 >60 [1524] ≤120 [3048] = +4 [102] / -0 >120 [3048] ≤300 [7620] = +6 [152] / -0 >300 [7620] = +5% / -0% ALL OTHER DIMENSIONAL TOLERANCES: .X = ± .2 [5.08] .XX = ± .02 [51] .XXX = ±.005 [1.3]	APPROVALS DRAWN BY B.PUCHASKI CHECKED BY B.ZHANG APPROVED BY B.GATES	DATE 04/19/17 04/27/17 04/21/17	50 HIGH STREET NORTH ANDOVER, MA 01845	
	CONFIGURATION DETAILS OF UNDIMENSIONED FEATURES MAY VARY			CATEGORY AUDIO/VIDEO
	PROJECTION 	COLOR VARIATIONS MAY OCCUR	SIZE A	FSCM NO. 43321
	DWG. NO. HDAFDM		SCALE: NONE	CAD FILE: HDAFDM.SLDDRW
SHEET 1 OF 1		REV. B		