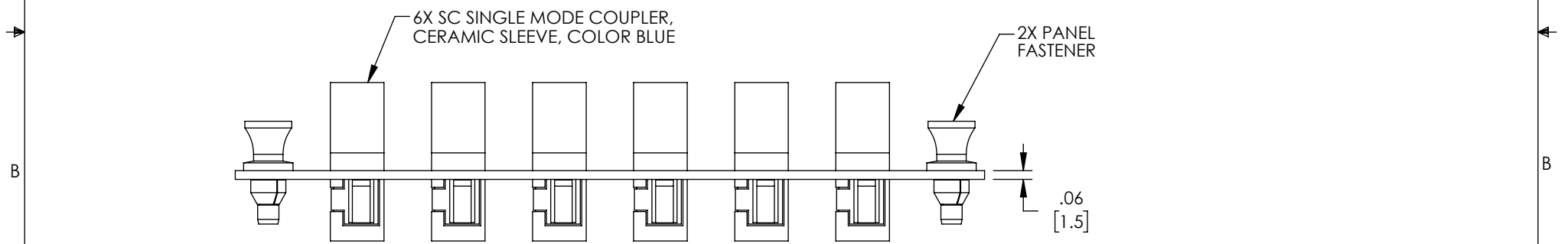
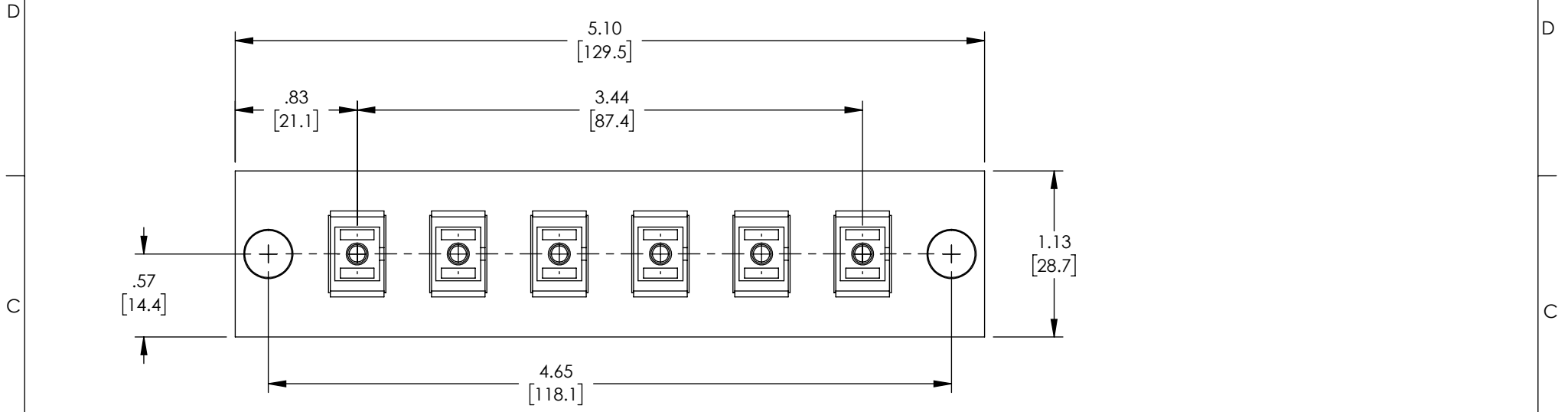



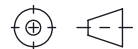
THE INFORMATION CONTAINED IN THIS DRAWING IS THE SOLE PROPERTY OF L-COM, INC. ANY REPRODUCTION IN PART OR WHOLE WITHOUT THE WRITTEN PERMISSION OF L-COM, INC. IS PROHIBITED.

REVISIONS			
REV	DESCRIPTION	DATE	APPROVED
A	INITIAL RELEASE	12/01/2020	PHOSPODAR



NOTES:

1. FINISH: BLACK POWDER COAT.
2. RECOMMENDED MOUNTING HOLE FOR MATING FASTENER: $\varnothing.252 +.002/.000$.
3. ASSEMBLY SHALL BE INDIVIDUALLY PACKAGED IN ACCORDANCE WITH L-COM SPECIFICATION PS-0031.
4. ALL DIMENSIONS FOR REFERENCE ONLY.
5. COUPLERS SUPPLIED WITH DUST CAPS, NOT SHOWN.

UNLESS OTHERWISE SPECIFIED, DIMENSIONS ARE IN INCHES [mm] OVERALL CABLE LENGTH TOLERANCE: ≤ 12 [305] = +1 [25] / -0 > 12 [305] ≤ 60 [1524] = +2 [51] / -0 > 60 [1524] ≤ 120 [3048] = +4 [102] / -0 > 120 [3048] ≤ 300 [7620] = +6 [152] / -0 > 300 [7620] = +5% / -0 ALL OTHER DIMENSIONAL TOLERANCES: .X = $\pm .2$ [5] FRACTIONS $\pm 1/32$.XX = $\pm .02$ [.5] ANGLES $\pm 1^\circ$.XXX = $\pm .005$ [.13]	APPROVALS	DATE	 50 High Street, West Mill, North Andover, MA 01845 USA. Phone: 1.800.341.5266 1.978.682.6936		
	DRAWN BY DZINN	12/01/2020		CATEGORY FIBER OPTIC SUB PANELS	
CHECKED BY DFRISIELLO	12/01/2020	PRODUCT DESCRIPTION Fiber Sub Panel SC Simplex Single mode Couplers, 6 count, Ceramic Sleeve, Blue Connector, Black			
APPROVED BY PHOSPODAR	12/01/2020		CONFIGURATION DETAILS OF UNDIMENSIONED FEATURES MAY VARY		
THIRD-ANGLE PROJECTION 	COLOR VARIATIONS MAY OCCUR	SIZE A	CAGE CODE 43321	ITEM NO. FSP-SC6-BLU-SMCR	REV. A
SCALE: NONE		CAD FILE: FSP-SC6-BLU-SMCR.SLDDRW		SHEET 1 OF 1	