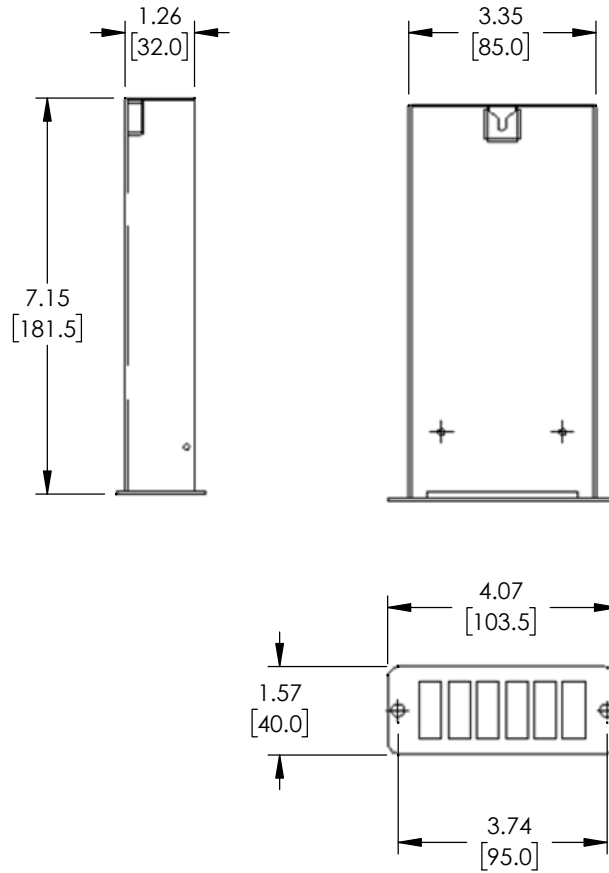


THE INFORMATION CONTAINED IN THIS DRAWING IS THE SOLE PROPERTY OF L-COM, INC. ANY REPRODUCTION IN PART OR WHOLE WITHOUT THE WRITTEN PERMISSION OF L-COM, INC. IS PROHIBITED.

REVISIONS			
REV	DESCRIPTION	DATE	APPROVED
A	INITIAL RELEASE	12/14/2020	PHOSPODAR



FIBER OPTIC CASSETTE MODULE

MODEL NUMBER	FIBER TYPE	LC CONNECTOR
FSP-MPM2-LC24-OS2	9/125 SINGLE MODE OS2	24, BLUE
FSP-MPM2-LC24-OM3	50/125 MULTIMODE OM3 LASER OPTIMIZED	24, AQUA
FSP-MPM2-LC24-OM4	50/125 MULTIMODE OM4 LASER OPTIMIZED	24, AQUA

<p>UNLESS OTHERWISE SPECIFIED, DIMENSIONS ARE IN INCHES [mm]</p> <p>OVERALL CABLE LENGTH TOLERANCE: ≤12 [305] = +1 [25] / -0 >12 [305] ≤60 [1524] = +2 [51] / -0 >60 [1524] ≤120 [3048] = +4 [102] / -0 >120 [3048] ≤300 [7620] = +6 [152] / -0 >300 [7620] = +5% / -0</p> <p>ALL OTHER DIMENSIONAL TOLERANCES: .X = ± .2 [5] FRACTIONS ± 1/32 .XX = ± .02 [.5] ANGLES ± 1° .XXX = ± .005 [.13]</p> <p>THIRD-ANGLE PROJECTION</p>	<p>APPROVALS</p> <p>DATE</p>	<p>50 High Street, West Mill, North Andover, MA 01845 USA. Phone: 1.800.341.5266 1.978.682.6936</p>	
	<p>DRAWN BY</p> <p>CHECKED BY</p> <p>APPROVED BY</p>		<p>12/08/2020</p> <p>12/14/2020</p> <p>12/14/2020</p>
	<p>CONFIGURATION DETAILS OF UNDIMENSIONED FEATURES MAY VARY</p>		
	<p>COLOR VARIATIONS MAY OCCUR</p>		
<p>PRODUCT DESCRIPTION</p> <p>2 MPO male (pins) to 24 LC Fiber LGX Fan-out cassette</p>		<p>CATEGORY</p> <p>FIBER OPTICS</p>	
<p>SIZE</p> <p>A</p>	<p>CAGE CODE</p> <p>43321</p>	<p>ITEM NO.</p> <p>FSP-MPM2-LC24</p>	
<p>SCALE: NONE</p>		<p>CAD FILE: FSP-MPM2-LC24.SLDDRW</p>	
		<p>SHEET 1 OF 1</p>	