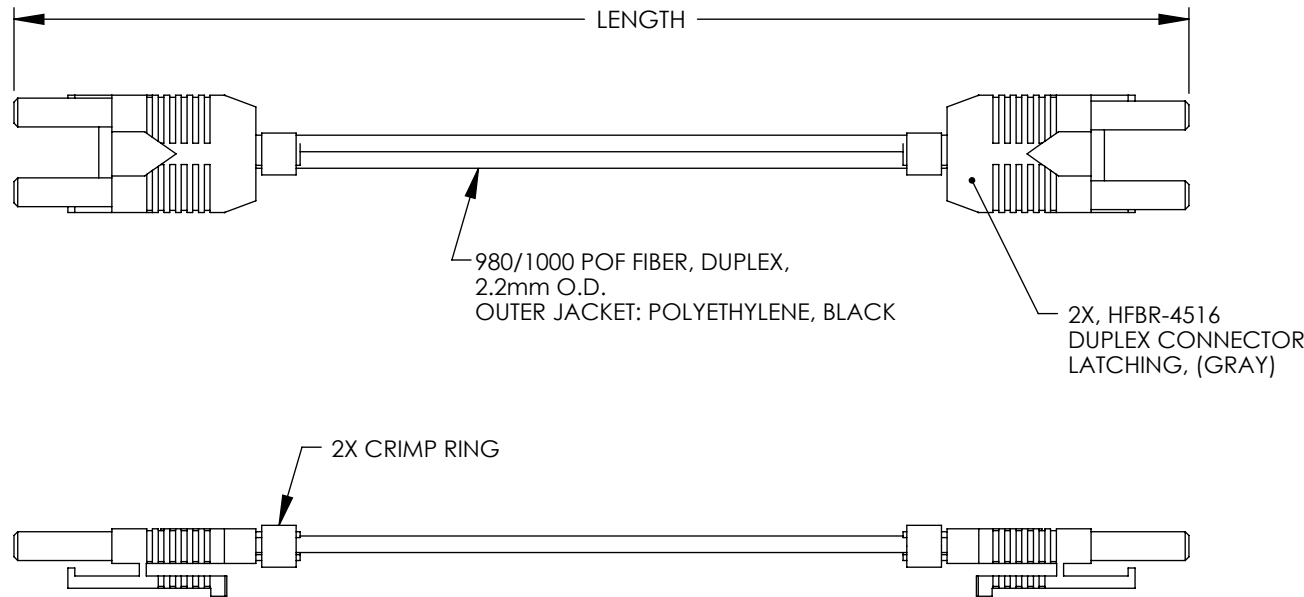


THE INFORMATION CONTAINED IN THIS DRAWING IS THE SOLE PROPERTY OF L-COM, INC. ANY REPRODUCTION IN PART OR WHOLE WITHOUT THE WRITTEN PERMISSION OF L-COM, INC. IS PROHIBITED.

REVISIONS			
REV	DESCRIPTION	DATE	APPROVED
A	INITIAL RELEASE	9/7/10	D.GRIFFIN



PART NUMBER	LENGTH	
	METERS	FEET
FODU-HFBRL-.3	0.3	[.98]
FODU-HFBRL-.5	0.5	[1.64]
FODU-HFBRL-1	1	[3.28]
FODU-HFBRL-2	2	[6.56]
FODU-HFBRL-3	3	[9.84]
FODU-HFBRL-4	4	[13.12]
FODU-HFBRL-5	5	[16.41]
FODU-HFBRL-10	10	[32.81]
FODU-HFBRL-15	15	[49.22]
FODU-HFBRL-25	25	[82.02]
FODU-HFBRL-50	50	[164.10]

UNLESS OTHERWISE SPECIFIED, DIMENSIONS ARE IN INCHES [mm] OVERALL CABLE LENGTH TOLERANCE: ≤12 [305] = +1 [25] / -0 >12 [305] ≤60 [1524] = +2 [51] / -0 >60 [1524] ≤120 [3048] = +4 [102] / -0 >120 [3048] ≤300 [7620] = +6 [152] / -0 >300 [7620] = +3% / -0%	APPROVALS	DATE		45 BEECHWOOD DRIVE NORTH ANDOVER, MA 01845
	DRAWN BY D. CASTRO	8/18/10		
ALL OTHER DIMENSIONAL TOLERANCES: .X = ±.2 .XX = ±.02 .XXX = ±.005	CHECKED BY D. PARHAM	9/2/10	CATEGORY FIBER OPTIC	
	APPROVED BY S. SMITH	9/3/10	PRODUCT DESCRIPTION CA 1MM POF DPX HFBR LATCH	
PROJECTION 	CONFIGURATION DETAILS OF UNDIMENSIONED FEATURES MAY VARY	COLOR VARIATIONS MAY OCCUR	SIZE A	FSCM NO. 43321
REF	SCALE: NONE	CAD FILE: FODU-HFBRL.SLDDRW	DWG. NO. FODU-HFBRL	REV. A

- NOTES:**
1. OPERATING TEMPERATURE: - 40° C TO +70° C.
 2. CABLE BEND RADIUS: 25 mm [R .98 IN]
 3. CABLE ASSEMBLY SHALL BE TESTED FOR CONTINUITY.
 4. CABLE ASSEMBLY SHALL BE INDIVIDUALLY PACKAGED IN ACCORDANCE WITH L-COM SPEC. PS-0031.

