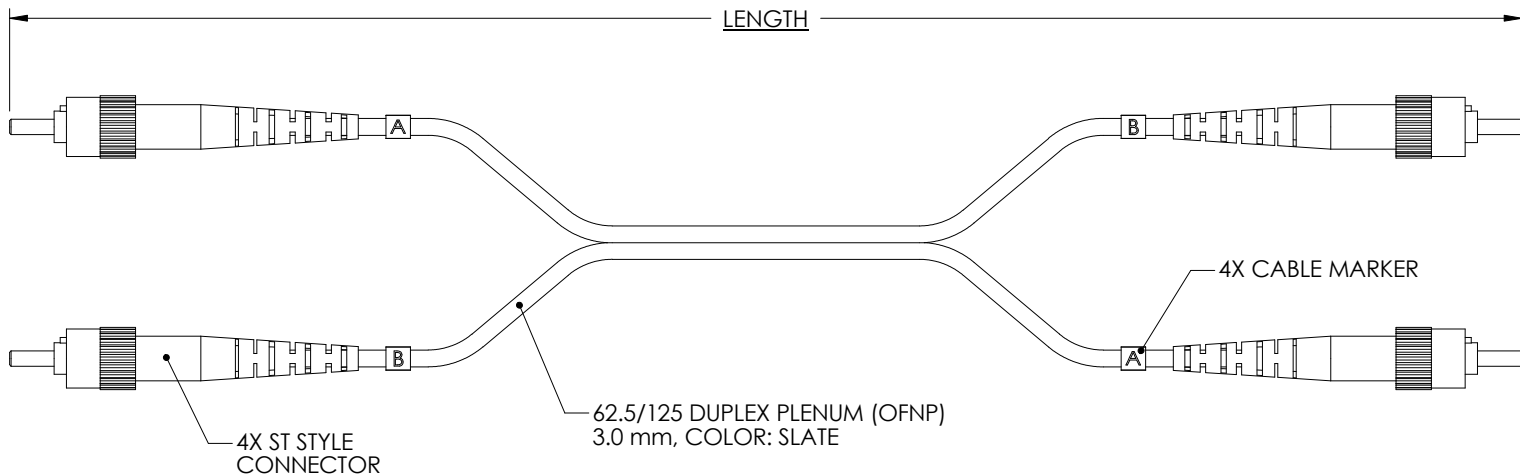


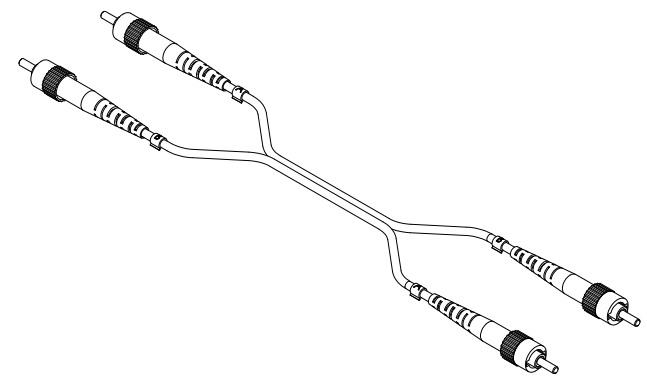
THE INFORMATION CONTAINED IN THIS DRAWING IS THE SOLE PROPERTY OF L-COM, INC. ANY REPRODUCTION IN PART OR WHOLE WITHOUT THE WRITTEN PERMISSION OF L-COM, INC. IS PROHIBITED.

REVISIONS			
REV	DESCRIPTION	DATE	APPROVED
A	INITIAL RELEASE	11/08/04	MCCORMICK
B	ECN# 2248 CONSTRUCTION FROM 1.6mm TO 3.0mm	11/09/05	MCCORMICK



NOTES:

- 1.0 TEST:**
1.1 INSERTION LOSS TESTED AT 1300nm WITH A <-1.0 dB RESULT.
- 2.0 PACKAGING:**
2.1 THE PRODUCT SHALL BE PRESERVED & PACKAGED IN A MANNER WHICH WILL AFFORD ADEQUATE PROTECTION AGAINST CORROSION, DETERIORATION, AND PHYSICAL DAMAGE DURING SHIPMENT.
2.2 INDIVIDUALLY PACKAGE EACH ASSEMBLY UTILIZING APPROPRIATE SIZED BAG DEPICTED ON [1AN01-001-OD1](#) . MARK EACH BAG PER [LSP-010-1](#)
- 3.0 WORKMANSHIP:**
3.1 CABLE ASSEMBLIES SHALL BE MANUFACTURED IN SUCH A MANNER AS TO BE UNIFORM IN QUALITY AND SHALL BE FREE FROM DEFECTS THAT WILL ADVERSELY AFFECT LIFE, SERVICEABILITY, OR APPEARANCE.
- 4.0 VISUAL AND MECHANICAL:**
4.1. CABLE ASSEMBLIES SHALL BE INSPECTED TO VERIFY COMPLIANCE TO THIS DRAWING.
- 5.0 MANUFACTURING:**
5.1 CABLE ASSEMBLY UTILIZES "PC" POLISH TYPE.



PART NUMBER	LENGTH METERS
FODPST-01	1.0
FODPST-02	2.0
FODPST-03	3.0
FODPST-04	4.0
FODPST-05	5.0

UNLESS OTHERWISE SPECIFIED, DIMENSIONS ARE IN INCHES TOLERANCES ARE:
X ±.1
XX ±.05
XXX ±.005
CABLE LENGTH TOLERANCE
<300" ±5% >300" ±2%

APPROVALS	DATE
DRAWN BY C.MCCORMICK	11/08/2004
CHECKED BY D.PARHAM	11/08/2004
APPROVED BY R.CARRICK	11/08/2004

CONFIGURATION DETAILS OF UNDIMENSIONED FEATURES MAY VARY

L-com CONNECTIVITY PRODUCTS		45 BEECHWOOD DRIVE NORTH ANDOVER, MA 01845	
PRODUCT DESCRIPTION 62.5/125 DUPLEX LSZH CABLE ASSY			
DRAWING TITLE OUTLINE DRAWING			
SIZE A	FSCM NO. 43321	DWG. NO. FODPST-01-OD1	REV. B
SCALE: NONE		CAD FILE: FODPST-01-OD1.SLDDRW	SHEET 1 OF 1