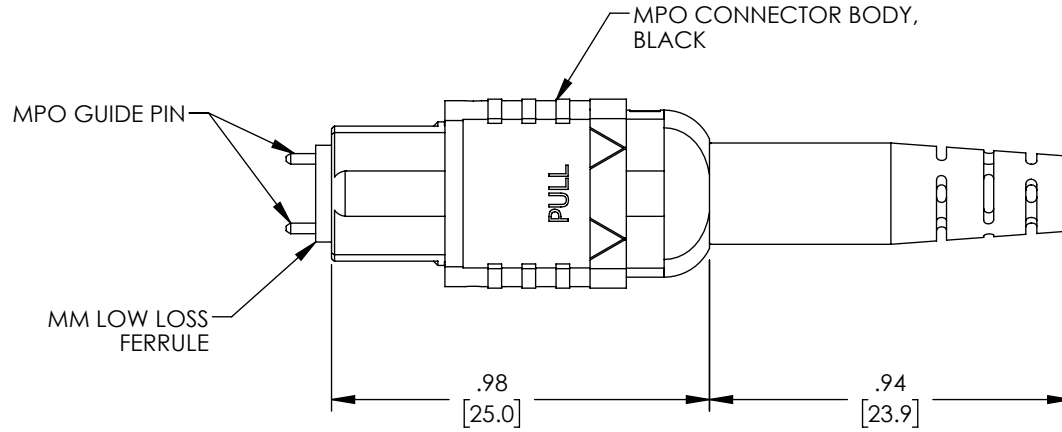
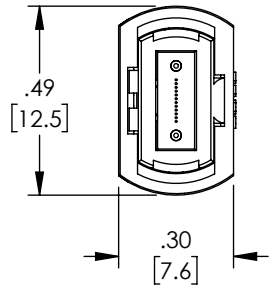



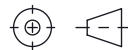
THE INFORMATION CONTAINED IN THIS DRAWING IS THE SOLE PROPERTY OF L-COM, INC. ANY REPRODUCTION IN PART OR WHOLE WITHOUT THE WRITTEN PERMISSION OF L-COM, INC. IS PROHIBITED.

REVISIONS			
REV	DESCRIPTION	DATE	APPROVED
A	INITIAL RELEASE	03/05/2021	PHOSPODAR



NOTES:

1. ALL DIMENSIONS ARE FOR REFERENCE ONLY.
2. CONNECTOR INCLUDES A DUST CAP (NOT SHOWN).
3. CONNECTOR ASSEMBLY SHALL BE INDIVIDUALLY PACKAGED IN ACCORDANCE WITH L-COM SPECIFICATION PS-0031.

UNLESS OTHERWISE SPECIFIED, DIMENSIONS ARE IN INCHES [mm] OVERALL CABLE LENGTH TOLERANCE: ≤12 [305] = +1 [25] / -0 >12 [305] ≤60 [1524] = +2 [51] / -0 >60 [1524] ≤120 [3048] = +4 [102] / -0 >120 [3048] ≤300 [7620] = +6 [152] / -0 >300 [7620] = +5% / -0 ALL OTHER DIMENSIONAL TOLERANCES: .X = ± .2 [5] FRACTIONS ± 1/32 .XX = ± .02 [.5] ANGLES ± 1° .XXX = ± .005 [.13]	APPROVALS	DATE	 50 High Street, West Mill, North Andover, MA 01845 USA. Phone: 1.800.341.5266 1.978.682.6936
	DRAWN BY DZINN	03/05/2021	
APPROVED BY PHOSPODAR	03/05/2021	CATEGORY FIBER OPTIC	
THIRD-ANGLE PROJECTION 	CONFIGURATION DETAILS OF UNDIMENSIONED FEATURES MAY VARY	PRODUCT DESCRIPTION FIBER CONNECTOR, MPO MALE, 12 FIBER, FOR 4.0MM MMF, BLACK, SHORT BOOT, LOW-LOSS	
COLOR VARIATIONS MAY OCCUR		SIZE A	CAGE CODE 43321
		ITEM NO. FOC-MPMMM1230-BKSP0	REV. A
		SCALE: NONE	CAD FILE: FOC-MPMMM1230-BKSP0.SLDDRW
		SHEET 1 OF 1	