

THE INFORMATION CONTAINED IN THIS DRAWING IS THE SOLE PROPERTY OF L-COM, INC. ANY REPRODUCTION IN PART OR WHOLE WITHOUT THE WRITTEN PERMISSION OF L-COM, INC. IS PROHIBITED.

REVISIONS			
REV	DESCRIPTION	DATE	APPROVED
	INITIAL RELEASE	02/25/2021	PHOSPODAR

LC DUPLEX CONNECTOR,  
2.0mm SM, BLUE

.246  
[6.25]

.176  
[4.47]

UNIBOOT

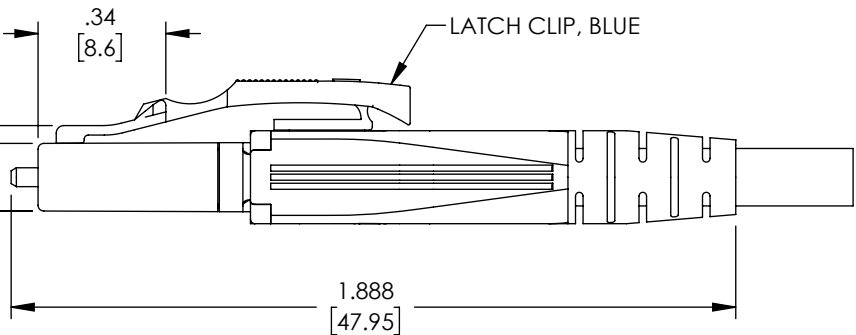
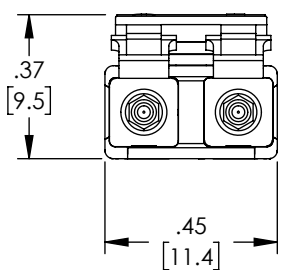
.34  
[8.6]

LATCH CLIP, BLUE

.222  
[5.65]


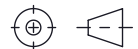
.176  
[4.47]

1.888  
[47.95]



NOTES:

1. ALL DIMENSIONS ARE FOR REFERENCE ONLY.
2. CONNECTOR INCLUDES 2 DUST CAPS (NOT SHOWN).
3. CONNECTOR ASSEMBLY SHALL BE INDIVIDUALLY PACKAGED IN ACCORDANCE WITH L-COM SPECIFICATION PS-0031.

UNLESS OTHERWISE SPECIFIED, DIMENSIONS ARE IN INCHES [mm] OVERALL CABLE LENGTH TOLERANCE: ≤12 [305] = +1 [25] / -0 >12 [305] ≤60 [1524] = +2 [51] / -0 >60 [1524] ≤120 [3048] = +4 [102] / -0 >120 [3048] ≤300 [7620] = +6 [152] / -0 >300 [7620] = +5% / -0 ALL OTHER DIMENSIONAL TOLERANCES: .X = ± .2 [5]   FRACTIONS ± 1/32 .XX = ± .02 [5]   ANGLES ± 1° .XXX = ± .005 [1.3]	APPROVALS	DATE	 50 High Street, West Mill, North Andover, MA 01845 USA. Phone: 1.800.341.5266 1.978.682.6936
	DRAWN BY DZINN CHECKED BY DFRISIELLO APPROVED BY PHOSPODAR	02/25/2021 02/25/2021 02/25/2021	
THIRD-ANGLE PROJECTION 	CONFIGURATION DETAILS OF UNDIMENSIONED FEATURES MAY VARY COLOR VARIATIONS MAY OCCUR	PRODUCT DESCRIPTION <b>FIBER CONNECTOR, LC DUPLEX, FOR 2.0MM SMF, BLUE, UNIBOOT W/ REVERSIBLE POLARITY</b>	SCALE: NONE   CAD FILE: FOC-LCSM0220-0U0R.SLDDRW   SHEET 1 OF 1
	SIZE <b>A</b>	CAGE CODE <b>43321</b>	ITEM NO. <b>FOC-LCSM0220-0U0R</b>