

8 7 6 5 4 3 2 1

THE INFORMATION CONTAINED IN THIS DRAWING IS THE SOLE PROPERTY OF L-COM, INC. ANY REPRODUCTION IN PART OR WHOLE WITHOUT THE WRITTEN PERMISSION OF L-COM, INC. IS PROHIBITED.

REVISIONS			
REV	DESCRIPTION	DATE	APPROVED
A	INITIAL RELEASE	02/25/2020	PHOSPODAR

FIBER TYPE	MULTIMODE, OM2, MIL TAC
CORE DIAMETER	50 μm
CLADDING DIAMETER	125 μm
PRIMARY COATING DIA. (UV CURED ACRYLATE)	500 μm
SECONDARY BUFFER DIA. (HARD ELASTOMERIC)	900 μm
NUMERICAL APERTURE	0.20
PROOF TEST LEVEL	100 kpsi

WAVELENGTH:	850 nm	1310 nm
MAXIMUM ATTENUATION	3.5 dB/km	1.5 dB/km
BANDWIDTH	500 MHz-km	500 MHz-km

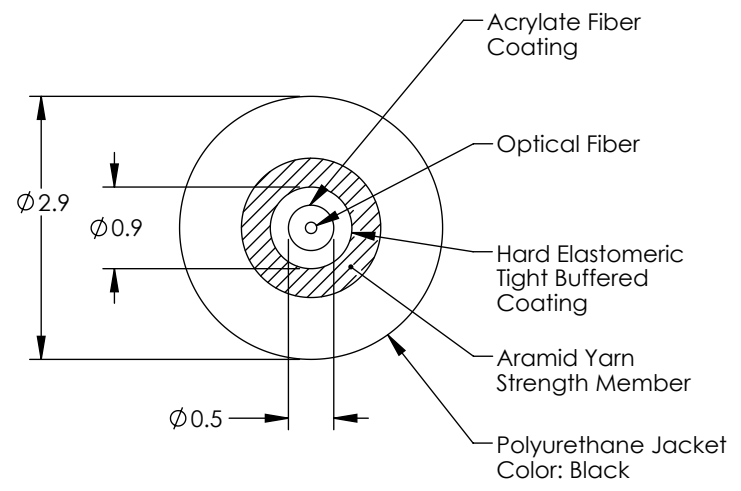
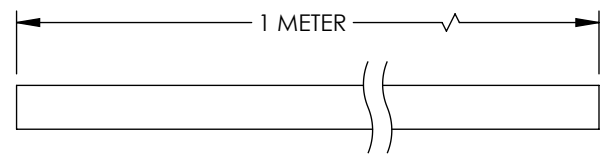
CABLE WEIGHT	8 kg/km (5 lbs/1000 ft)
CABLE DIAMETER	2.9 mm (0.11 in)

INSTALLATION:	
MAX TENSILE LOAD	500 N (110 lbs)
MIN BEND RADIUS	4.8 cm (2.0 in)

OPERATING:	
MAX TENSILE LOAD	300 N (70 lbs)
MIN BEND RADIUS	2.4 cm (1.0 in)

IMPACT RESISTANCE, EIA/TIA-455-25, MIL REQ	200 IMPACTS
CRUSH RESISTANCE, EIA/TIA-455-41, MIL REQ	440 N/cm

OPERATING TEMPERATURE	-55°C TO +85°C
STORAGE TEMPERATURE	-70°C TO +85°C



ALL DIMENSIONS IN mm, DRAWING NOT TO SCALE

NOTES:

1. CABLE SHALL BE INDIVIDUALLY PACKAGED IN ACCORDANCE WITH L-COM SPECIFICATION PS-0031.

UNLESS OTHERWISE SPECIFIED, DIMENSIONS ARE IN INCHES (mm) OVERALL CABLE LENGTH TOLERANCE: ≤12 [305] = +1 [25] / -0 >12 [305] ≤60 [1524] = +2 [51] / -0 >60 [1524] ≤120 [3048] = +4 [102] / -0 >120 [3048] ≤300 [7620] = +6 [152] / -0 >300 [7620] = +5% / -0 ALL OTHER DIMENSIONAL TOLERANCES: .X = ± .2 [5] FRACTIONS ± 1/32 .XX = ± .02 [5] ANGLES ± 1° .XXX = ± .005 [13]	APPROVALS	DATE	 50 High Street, West Mill, North Andover, MA 01845 USA. Phone: 1.800.341.5266 1.978.682.6936
	DRAWN BY DZINN CHECKED BY DFRISIELLO APPROVED BY PHOSPODAR	02/25/2020 02/25/2020 02/25/2020	
THIRD-ANGLE PROJECTION 	CONFIGURATION DETAILS OF UNDIMENSIONED FEATURES MAY VARY COLOR VARIATIONS MAY OCCUR	PRODUCT DESCRIPTION 1M Interval OM2 (50/125) 3.0mm Simplex	SIZE A
CAGE CODE 43321		ITEM NO. FOB30OM2TKS-M	REV. A
SCALE: NONE		CAD FILE: FOB30OM2TKS-M.SLDDRW	SHEET 1 OF 1