

THE INFORMATION CONTAINED IN THIS DRAWING IS THE SOLE PROPERTY OF L-COM, INC. ANY REPRODUCTION IN PART OR WHOLE WITHOUT THE WRITTEN PERMISSION OF L-COM, INC. IS PROHIBITED.

REVISIONS			
REV	DESCRIPTION	DATE	APPROVED
A	INITIAL RELEASE	05/18/2022	PHOSPODAR

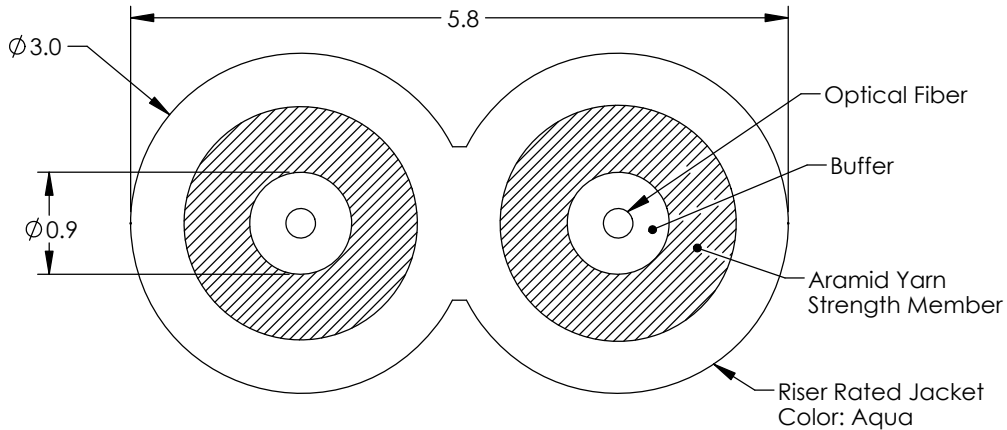
FIBER TYPE	MULTIMODE, OM3, DUPLEX, RISER
CORE DIAMETER	50 $\mu$ m
CLADDING DIAMETER	125 $\mu$ m
BUFFER	0.87 $\pm$ 0.05

WAVELENGTH:	850/1300nm FIBER TYPE	850/1300nm MAXIMUM
ATTENUATION	3.0/1.0 dB/km	3.5/1.5 dB/km
OFL BANDWIDTH (MHz.km)	$\geq$ 1500/500	
EFFECTIVE MODER (MHz.km) (850nm)	$\geq$ 2000	
10G ETHERNET SX (M) (850nm)	$\leq$ 300	

MAX. TENSILE STRENGTH (N)	
SHORT TERM	200
LONG TERM	100

MIN. BEND RADIUS (mm)	
DYNAMIC	20X DIA.
STATIC	10X DIA.

MAX. CRUSH RESISTANCE (N/100mm)	
SHORT TERM	500
LONG TERM	100




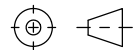
ALL DIMENSIONS IN mm, DRAWING NOT TO SCALE

**NOTES:**

- BULK CABLE SHALL BE INDIVIDUALLY PACKAGED IN ACCORDANCE WITH L-COM SPECIFICATION PS-0031.

**REGULATORY COMPLIANCE:**

EU RoHS DIRECTIVE (MOST RECENT RELEASED VERSION)

UNLESS OTHERWISE SPECIFIED, DIMENSIONS ARE IN INCHES [mm]	APPROVALS	DATE	 50 High Street, West Mill, North Andover, MA 01845 USA. Phone: 1.800.341.5266 1.978.682.6936
	OVERALL CABLE LENGTH TOLERANCE: $\leq$ 12 [305] = +1 [25] / -0 $>$ 12 [305] $\leq$ 60 [1524] = +2 [51] / -0 $>$ 60 [1524] $\leq$ 120 [3048] = +4 [102] / -0 $>$ 120 [3048] $\leq$ 300 [7620] = +6 [152] / -0 $>$ 300 [7620] = +5% / -0	DRAWN BY DFRISIELLO 05/18/2022  CHECKED BY DZINN 05/18/2022  APPROVED BY PHOSPODAR 05/18/2022	
ALL OTHER DIMENSIONAL TOLERANCES: .X = $\pm$ .2 [5] .XX = $\pm$ .02 [.5] .XXX = $\pm$ .005 [.13]	CONFIGURATION DETAILS OF UNDIMENSIONED FEATURES MAY VARY  COLOR VARIATIONS MAY OCCUR	CATEGORY <b>FIBER OPTIC</b>  PRODUCT DESCRIPTION <b>Round Duplex Optical Cable, 50/125 10GB OM3, Riser Rated, 3.0mm</b>	SIZE <b>A</b>
THIRD-ANGLE PROJECTION 	CAGE CODE <b>43321</b>	ITEM NO. <b>FOB-2F3DM3R-M</b>	REV. <b>A</b>
SCALE: NONE		CAD FILE: FOB-2F3DM3R-M.SLDDRW	SHEET 1 OF 1