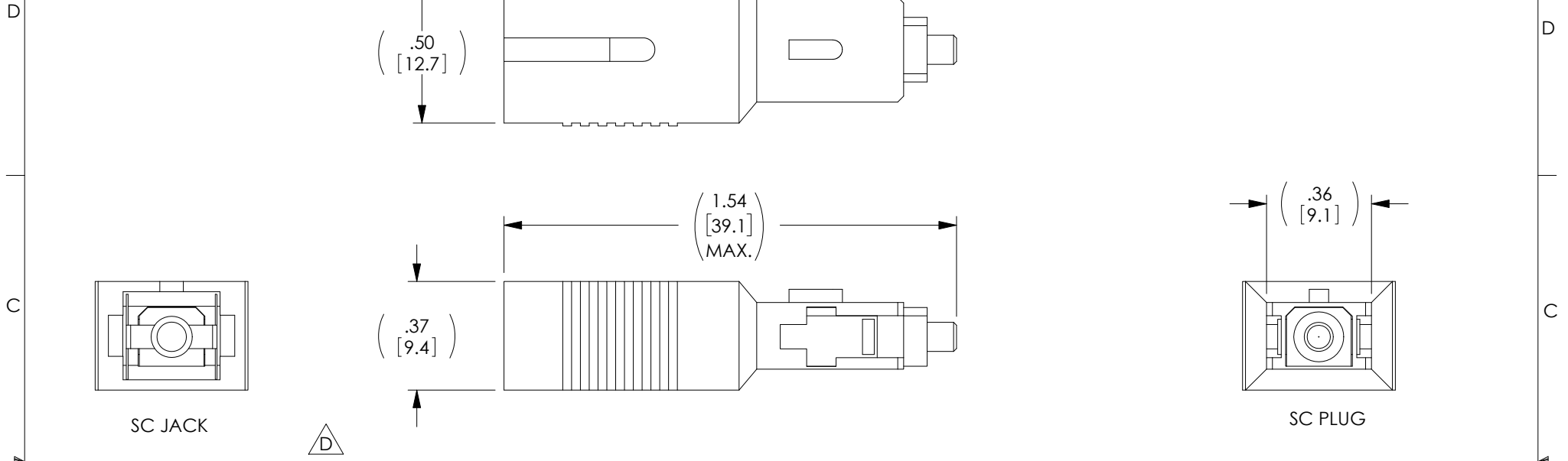



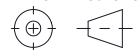
THE INFORMATION CONTAINED IN THIS DRAWING IS THE SOLE PROPERTY OF L-COM, INC. ANY REPRODUCTION IN PART OR WHOLE WITHOUT THE WRITTEN PERMISSION OF L-COM, INC. IS PROHIBITED.

REVISIONS			
REV	DESCRIPTION	DATE	APPROVED
A	INITIAL RELEASE	10/29/2007	DFRISIELLO
B	ECN 3067: UPDATE DRAWING NOTES	11/01/2007	D.GRIFFIN
C	ECN3399: CHNGD DIMS TO REF.	06/19/2008	D.PARHAM
D	ECN 10800: ADDED VALUES -01D, -02D, -03D, -07D, -12D, -18D	11/11/2020	PHOSPODAR



MODEL	ATTENUATION	BACK REFLECTION
FOATSCA-01D	1dB	≤ -60dB
FOATSCA-02D	2dB	≤ -60dB
FOATSCA-03D	3dB	≤ -60dB
FOATSCA-05D	5dB	≤ -60dB
FOATSCA-07D	7dB	≤ -60dB
FOATSCA-10D	10dB	≤ -60dB
FOATSCA-12D	12dB	≤ -60dB
FOATSCA-15D	15dB	≤ -60dB
FOATSCA-18D	18dB	≤ -60dB
FOATSCA-20D	20dB	≤ -60dB
FOATSCA-25D	25dB	≤ -60dB

- NOTES:**
- ATTENUATOR UTILIZES "UPC" POLISH.
  - OPERATING TEMPERATURE RANGE: -40 ° C TO +75 ° C.
  - SINGLE MODE WAVELENGTH RANGE: 1310-1550 nm.
  - ATTENUATOR IS PACKAGED TWO WITH DUST CAPS INSTALLED (NOT SHOWN).
  - ATTENUATOR SHALL BE INDIVIDUALLY PACKAGED IN ACCORDANCE WITH L-COM SPECIFICATION PS-0031.

UNLESS OTHERWISE SPECIFIED, DIMENSIONS ARE IN INCHES [mm]	APPROVALS	DATE	 50 High Street, West Mill, North Andover, MA 01845 USA. Phone: 1.800.341.5266 1.978.682.6936
	OVERALL CABLE LENGTH TOLERANCE: ≤12 [305] = +1 [25] / -0 >12 [305] ≤60 [1524] = +2 [51] / -0 >60 [1524] ≤120 [3048] = +4 [102] / -0 >120 [3048] ≤300 [7620] = +6 [152] / -0 >300 [7620] = +5% / -0	DRAWN BY DFRISIELLO 10/29/2007	
ALL OTHER DIMENSIONAL TOLERANCES: .X = ± .2 [5]   FRACTIONS ± 1/32 .XX = ± .02 [5]   ANGLES ± 1° .XXX = ± .005 [13]	APPROVED BY P.MC NEIL 10/29/2007	CATEGORY <b>FIBER OPTICS</b>	
	THIRD-ANGLE PROJECTION 	CONFIGURATION DETAILS OF UNDIMENSIONED FEATURES MAY VARY	PRODUCT DESCRIPTION <b>FIBER SC APC ATTENUATOR</b>
COLOR VARIATIONS MAY OCCUR	SIZE <b>A</b>	CAGE CODE <b>43321</b>	ITEM NO. <b>FOATSCA</b>
REF	SCALE: NONE	CAD FILE: FOATSCA.SLDDRW	REV. <b>D</b>