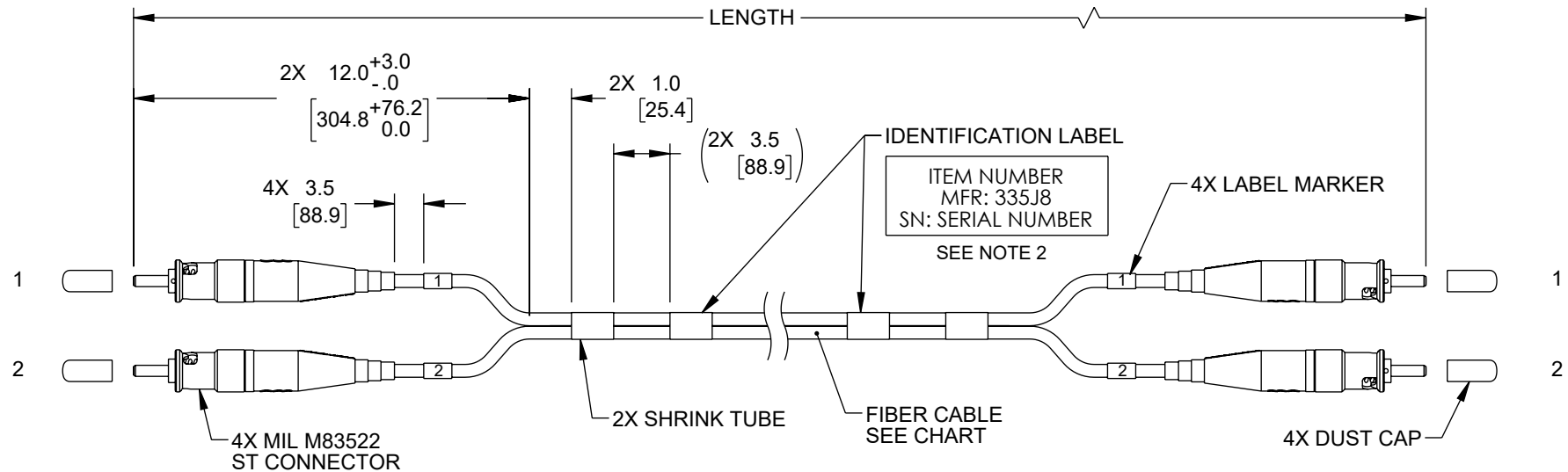


REVISION					
ZONE	REV	DESCRIPTION	DATE	CHANGED BY	APPROVED
	A	INITIAL RELEASE	10/25/2023	DFRISIELLO	PHOSPODAR



### FIBER PERFORMANCE

INDUSTRY STANDARD	OM4 LASER OPTIMIZED (ISO/IEC 11801)
CORE/CLADDING DIAMETER (μm)	50/125
WAVELENGTH (nm)	850/1310
GIGABIT ETHERNET DISTANCE (M)	1040/600
10-GIGABIT ETHERNET DISTANCE (M)	550/300
PRIMARY COATING DIAMETER (μm)	500
SECONDARY BUFFER DIAMETER (μm)	900

### INSTALLATION AND OPERATING CHARACTERISTICS

	INSTALLATION	OPERATING
MAX. TENSILE LOAD	600 N (135 lbs)	300 N (67 lbs)
MIN. BEND RADIUS	2.0 cm (0.8 in)	1.0 cm (0.4 in)

### MECHANICAL AND ENVIROMENTAL

FLEX RESISTANCE TIA-455-104 (MIL. REQ)	7,500 CYCLES
CRUSH RESISTANCE TIA-455-41 (MIL. REQ)	750 N/cm
OPERATING TEMPERATURE	-55° C TO +85° C
STORAGE TEMPERATURE	-70° C TO +85° C

### CABLE CHARACTERISTICS

JACKET COLOR	BLACK
JACKET MATERIAL	FLAME RETARDANT TACTICAL POLYURETHANE
BUFFER MATERIAL	HARD ELASTOMERIC
CABLE DIAMETER	2.0 x 4.5 mm (0.08 x 0.18 in)

ITEM NUMBER	LENGTH/TOL.
FCA-MSTMSTM4DXMT-05	5.0 METERS +0.15M/0
FCA-MSTMSTM4DXMT-10	10.0 METERS +0.3M/0
FCA-MSTMSTM4DXMT-15	15.0 METERS +0.3M/0
FCA-MSTMSTM4DXMT-20	20.0 METERS +0.3M/0

### NOTES:

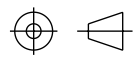
1. ALL CABLE ASSEMBLIES TO BE SUPPLIED WITH A TEST REPORT.
2. IDENTIFICATION LABELS ARE YELLOW M23053/5.
3. CABLE ASSEMBLY IS PACKAGED HAND COILED.
4. FABRICATED, INSPECTED, AND TESTED IAW IPC-A-640, CLASS 3.

THE INFORMATION CONTAINED IN THIS DRAWING IS THE SOLE PROPERTY OF INFINITE ELECTRONICS, INC. ANY REPRODUCTION IN PART OR WHOLE WITHOUT THE WRITTEN PERMISSION OF INFINITE ELECTRONICS, INC. IS PROHIBITED. THESE COMMODITIES, TECHNOLOGY OR SOFTWARE WERE EXPORTED FROM THE UNITED STATES IN ACCORDANCE WITH THE EXPORT ADMINISTRATION REGULATIONS. DIVERSION CONTRARY TO U.S. LAW PROHIBITED.

UNLESS OTHERWISE SPECIFIED LEADING DIMENSIONS ARE INCHES DIMENSIONS IN [ ] ARE MILLIMETERS	
TOLERANCES:	
.X = ±.2 [5]	FRACTIONS ± 1/32
.XX = ±.02 [0.5]	ANGLES ± 1°
.XXX = ±.005 [0.13]	
CABLE LENGTH TOLERANCES:	
≤12 [305]	= +1 [25] / -0
>12 [305] ≤ 60 [1524]	= +2 [51] / -0
>60 [1524] ≤ 120 [3048]	= +4 [102] / -0
>120 [3048] ≤ 300 [7620]	= +6 [152] / -0
>300 [7620]	= +5% / -0
ALL DIMENSIONS ARE FOR REFERENCE ONLY AND SUBJECT TO CHANGE WITHOUT NOTICE. UN-DIMENSIONED NON-CRITICAL FEATURES MAY VARY IN SIZE AND LOCATION. COLORS MAY VARY.	

**L-com**  
an INFINIT® brand

Website: www.L-com.com  
Phone: 1.800.341.5266 | 1.978.682.6936



INTERPRET ALL DIMENSIONS AND TOLERANCES PER ASME Y14.5

SCALE NONE SHEET 1 OF 1

DESCRIPTION  
2X ST-MIL C-83522 CONNECTOR TO 2X ST-MIL C-83522, MM, OM4, 2.0mm MIL TACTICAL

SIZE	CAGE CODE	DRAWN BY	ITEM NO.	REV
A	43321	DFRISIELLO	FCA-MSTMSTM4DXMT	A