

6

5

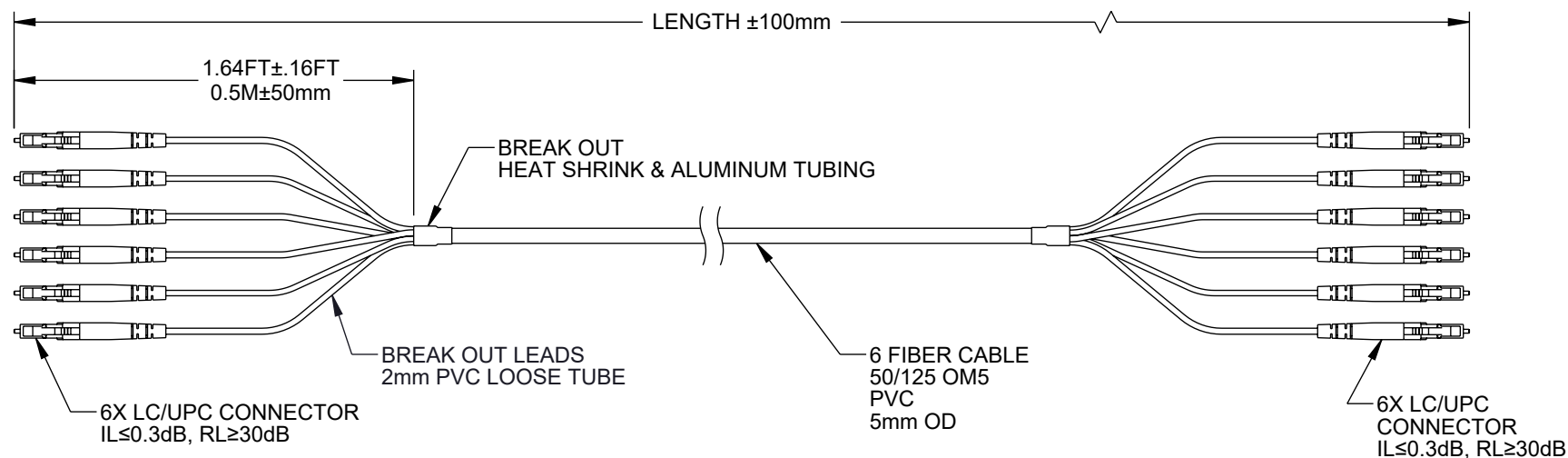
4

3

2

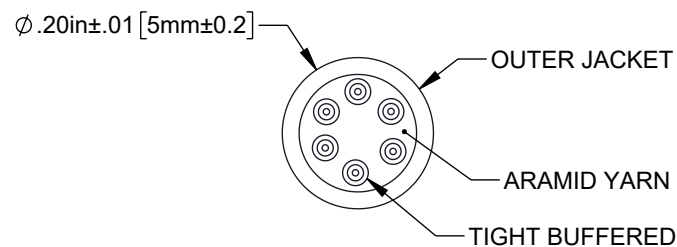
1

REVISION					
ZONE	REV	DESCRIPTION	DATE	CHANGED BY	APPROVED
	A	INITIAL RELEASE	07/22/2024	DZINN	NOTTINGHAM



CABLE TECHNICAL PARAMETERS

CABLE	OD(mm)	5 $\pm 0.2$
BUFFER	OD(mm)	0.85 $\pm 0.05$
	MATERIAL	PVC
MAX TENSILE STRENGTH (N)	SHORT TERM	320
	LONG TERM	160
MIN. BENDING RADIUS	DYNAMIC	15D
	STATIC	7.5D
MAX. CRUSH RESISTANCE (N/100mm)	SHORT TERM	1000
	LONG TERM	300
COLOR		GREEN
STRENGTH MEMBERS		ARAMID YARN



ITEM NUMBER	LENGTH	
	METERS	FEET
FCA-6M5LCULCUV2-05	5	16.40
FCA-6M5LCULCUV2-10	10	32.81
FCA-6M5LCULCUV2-15	15	49.21

## NOTES:

- ALL CONNECTORS SUPPLIED WITH A DUST CAP INSTALLED, BUT NOT SHOWN.
- CABLE ASSEMBLY SHALL BE INDIVIDUALLY PACKAGED AND LABELED.

**REGULATORY COMPLIANCE:**  
**EU RoHS DIRECTIVE (MOST RECENT RELEASED VERSION).**

THE INFORMATION CONTAINED IN THIS DRAWING IS THE SOLE PROPERTY OF INFINITE ELECTRONICS, INC. ANY REPRODUCTION IN PART OR WHOLE WITHOUT THE WRITTEN PERMISSION OF INFINITE ELECTRONICS, INC. IS PROHIBITED. THESE COMMODITIES, TECHNOLOGY OR SOFTWARE WERE EXPORTED FROM THE UNITED STATES IN ACCORDANCE WITH THE EXPORT ADMINISTRATION REGULATIONS. DIVERSION CONTRARY TO U.S. LAW PROHIBITED.

UNLESS OTHERWISE SPECIFIED  
LEADING DIMENSIONS ARE INCHES  
DIMENSIONS IN [ ] ARE MILLIMETERS

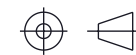
TOLERANCES:  
 .X =  $\pm 0.2$  [5]  
 .XX =  $\pm 0.02$  [0.5]  
 .XXX =  $\pm 0.005$  [0.13]  
 FRACTIONS  
 ± 1/32  
 ANGLES  $\pm 1^\circ$

CABLE LENGTH TOLERANCES:  
 $\leq 12$  [305] = +1 [25] / -0  
 $>12$  [305]  $\leq 60$  [1524] = +2 [51] / -0  
 $>60$  [1524]  $\leq 120$  [3048] = +4 [102] / -0  
 $>120$  [3048]  $\leq 300$  [7620] = +6 [152] / -0  
 $>300$  [7620] = +5% / -0

ALL DIMENSIONS ARE FOR REFERENCE ONLY  
AND SUBJECT TO CHANGE WITHOUT NOTICE.  
UN-DIMENSIONED/NON-CRITICAL FEATURES  
MAY VARY IN SIZE AND LOCATION  
COLORS MAY VARY

**L-com**  
an INFINIT<sup>®</sup> brand

Website: [www.L-com.com](http://www.L-com.com)  
Phone: 1.800.341.5266 | 1.978.682.6936



INTERPRET ALL DIMENSIONS AND  
TOLERANCES PER ASME Y14.5

SCALE NONE SHEET 1 OF 1

DESCRIPTION  
FIBER DIST CABLE, 6 STRAND LC/UPC-LC/UPC OM5,  
5mm PVC JKT, 2mm BREAKOUT AT 0.5M

SIZE	CAGE CODE	DRAWN BY	ITEM NO.	REV
A	43321	DZINN	FCA-6M5LCULCUV2	A

6

5

4

3

2

1