

6

5

4

3

2

1

| REVISION | | | | | |
|----------|-----|-----------------|-----------|------------|--------------|
| ZONE | REV | DESCRIPTION | DATE | CHANGED BY | APPROVED |
| | A | INITIAL RELEASE | 9/10/2024 | KDANG | D NOTTINGHAM |

F

F

E

E

D

D

C

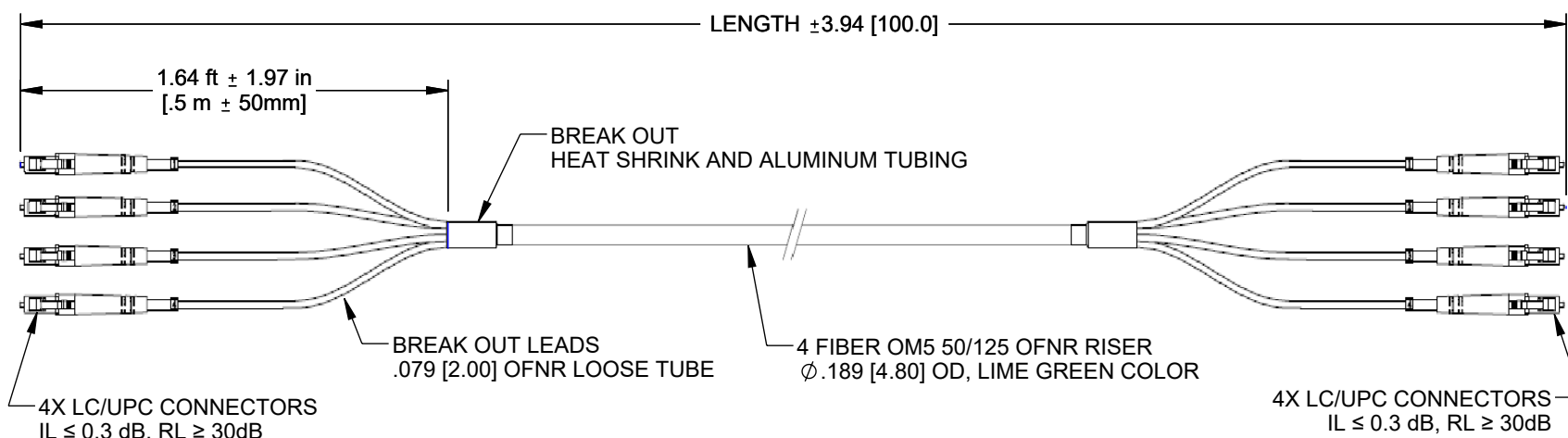
C

B

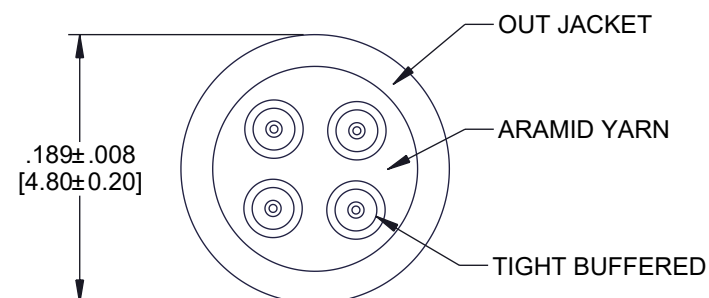
B

A

A



| CABLE TECHNICAL PARAMETERS | | |
|---------------------------------|--------------|-------------|
| CABLE | OD (mm) | 4.8±0.2 |
| | MATERIAL | RISER |
| BUFFER | OD (mm) | .85±0.05 |
| | MATERIAL | PVC |
| MAX. TENSILE STRENGTH (N) | SHORT TERM | 320 |
| | LONG TERM | 160 |
| MIN. BENDING RADIUS | DYNAMIC (mm) | 15D |
| | STATIC (mm) | 7.5D |
| MAX. CRUSH RESISTANCE (N/100mm) | SHORT TERM | 1000 |
| | LONG TERM | 300 |
| COLOR | | LIME GREEN |
| STRENGTH MEMBERS | | ARAMID YARN |



| ITEM NUMBER | LENGTH | |
|--------------------|--------|-------|
| | METERS | FEET |
| FCA-4M5LCULCUR2-05 | 5.0 | 16.40 |
| FCA-4M5LCULCUR2-10 | 10.0 | 32.81 |
| FCA-4M5LCULCUR2-15 | 15.0 | 49.21 |

NOTES:

- ALL CONNECTORS ACCOMPANIED WITH A DUST CAP INSTALLED (NOT SHOWN).
- PARTS SHALL BE INDIVIDUALLY PACKAGED AND LABELED

REGULATORY COMPLIANCE:

EU ROHS DIRECTIVE (MOST RECENT RELEASED VERSION)

THE INFORMATION CONTAINED IN THIS DRAWING IS THE SOLE PROPERTY OF INFINITE ELECTRONICS, INC. ANY REPRODUCTION IN PART OR WHOLE WITHOUT THE WRITTEN PERMISSION OF INFINITE ELECTRONICS, INC. IS PROHIBITED. THESE COMMODITIES, TECHNOLOGY OR SOFTWARE WERE EXPORTED FROM THE UNITED STATES IN ACCORDANCE WITH THE EXPORT ADMINISTRATION REGULATIONS. DIVERSION CONTRARY TO U.S. LAW PROHIBITED.

UNLESS OTHERWISE SPECIFIED
LEADING DIMENSIONS ARE INCHES
DIMENSIONS IN [] ARE MILLIMETERS

TOLERANCES:
 .X = ±.2 [5]
 .XX = ±.02 [0.5]
 .XXX = ±.005 [0.13]
 FRACTIONS
 ± 1/32
 ANGLES ± 1°

CABLE LENGTH TOLERANCES:
 ≤12 [305] = +1 [25] / -0
 >12 [305] ≤ 60 [1524] = +2 [51] / -0
 >60 [1524] ≤ 120 [3048] = +4 [102] / -0
 >120 [3048] ≤ 300 [7620] = +6 [152] / -0
 >300 [7620] = +5% / -0

ALL DIMENSIONS ARE FOR REFERENCE ONLY
AND SUBJECT TO CHANGE WITHOUT NOTICE.
UN-DIMENSIONED/NON-CRITICAL FEATURES
MAY VARY IN SIZE AND LOCATION
COLORS MAY VARY

L-com
an INFINIT[®] brand

Website: www.L-com.com
Phone: 1.800.341.5266 | 1.978.682.6936



INTERPRET ALL DIMENSIONS AND
TOLERANCES PER ASME Y14.5

SCALE NONE SHEET 1 OF 1

DESCRIPTION
FIBER DIST CABLE, 4 STRAND LC/UPC-LC/UPC OM5, 4.8MM
RISER JKT, 2.0MM BREAKOUT AT .5M

| SIZE | CAGE CODE | DRAWN BY | ITEM NO. | REV |
|------|-----------|----------|-----------------|-----|
| A | 43321 | KDANG | FCA-4M5LCULCUR2 | A |

6

5

4

3

2

1