

6

5

4

3

2

1

REVISION

ZONE	REV	DESCRIPTION	DATE	CHANGED BY	APPROVED
	A	INITIAL RELEASE	9/10/2024	KDANG	D NOTTINGHAM

F

F

E

E

D

D

C

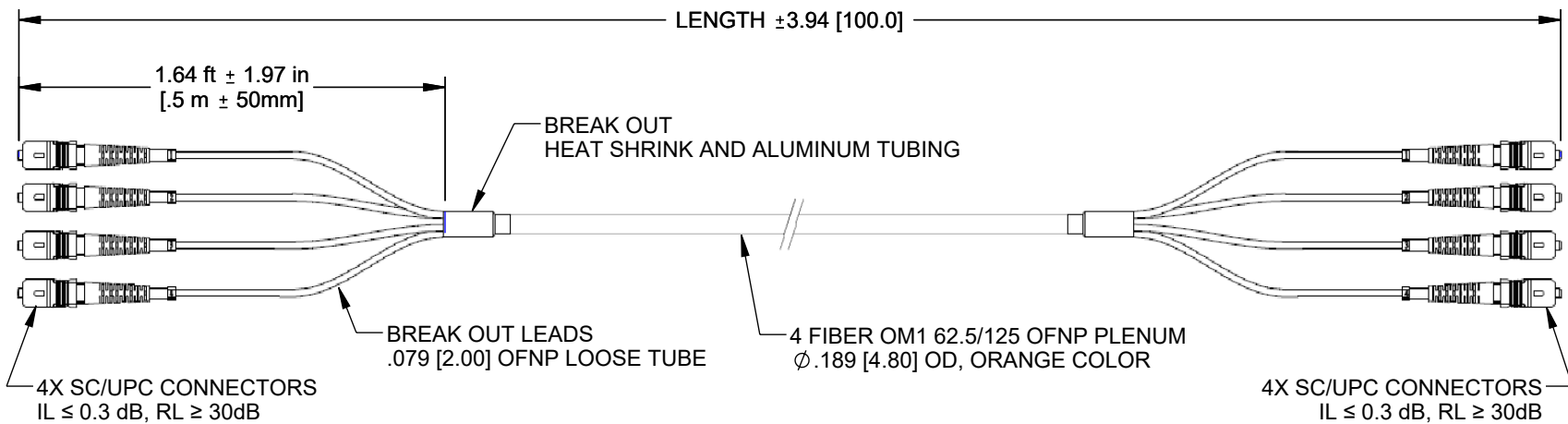
C

B

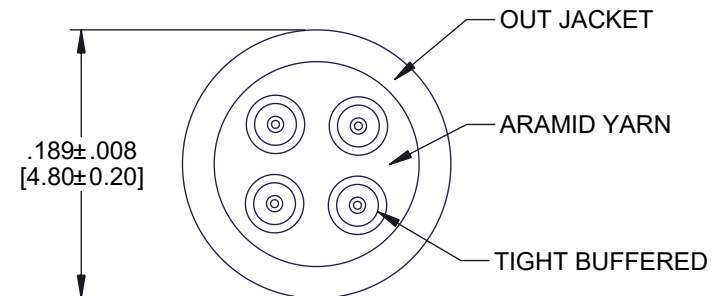
B

A

A



CABLE TECHNICAL PARAMETERS		
CABLE	OD (mm)	4.8±0.2
	MATERIAL	PLENUM
BUFFER	OD (mm)	.85±0.05
	MATERIAL	PVC
MAX. TENSILE STRENGTH (N)	SHORT TERM	320
	LONG TERM	160
MIN. BENDING RADIUS	DYNAMIC (mm)	15D
	STATIC (mm)	7.5D
MAX. CRUSH RESISTANCE (N/100mm)	SHORT TERM	1000
	LONG TERM	300
COLOR		ORANGE
STRENGTH MEMBERS		ARAMID YARN



ITEM NUMBER	LENGTH	
	METERS	FEET
FCA-4M1SCUSCUP2-05	5.0	16.40
FCA-4M1SCUSCUP2-10	10.0	32.81
FCA-4M1SCUSCUP2-15	15.0	49.21

NOTES:

- ALL CONNECTORS ACCOMPANIED WITH A DUST CAP INSTALLED (NOT SHOWN).
- PARTS SHALL BE INDIVIDUALLY PACKAGED AND LABELED

REGULATORY COMPLIANCE:

EU ROHS DIRECTIVE (MOST RECENT RELEASED VERSION)

THE INFORMATION CONTAINED IN THIS DRAWING IS THE SOLE PROPERTY OF INFINITE ELECTRONICS, INC. ANY REPRODUCTION IN PART OR WHOLE WITHOUT THE WRITTEN PERMISSION OF INFINITE ELECTRONICS, INC. IS PROHIBITED. THESE COMMODITIES, TECHNOLOGY OR SOFTWARE WERE EXPORTED FROM THE UNITED STATES IN ACCORDANCE WITH THE EXPORT ADMINISTRATION REGULATIONS. DIVERSION CONTRARY TO U.S. LAW PROHIBITED.

UNLESS OTHERWISE SPECIFIED
LEADING DIMENSIONS ARE INCHES
DIMENSIONS IN [] ARE MILLIMETERS

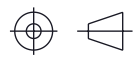
TOLERANCES:
 .X = ±.2 [5] FRACTIONS ± 1/32
 .XX = ±.02 [0.5] ANGLES ± 1°
 .XXX = ±.005 [0.13]

CABLE LENGTH TOLERANCES:
 ≤12 [305] = +1 [25] / -0
 >12 [305] ≤ 60 [1524] = +2 [51] / -0
 >60 [1524] ≤ 120 [3048] = +4 [102] / -0
 >120 [3048] ≤ 300 [7620] = +6 [152] / -0
 >300 [7620] = +5% / -0

ALL DIMENSIONS ARE FOR REFERENCE ONLY
AND SUBJECT TO CHANGE WITHOUT NOTICE.
UN-DIMENSIONED/NON-CRITICAL FEATURES
MAY VARY IN SIZE AND LOCATION
COLORS MAY VARY

L-com
an INFINIT® brand

Website: www.L-com.com
Phone: 1.800.341.5266 | 1.978.682.6936



INTERPRET ALL DIMENSIONS AND TOLERANCES PER ASME Y14.5

SCALE NONE SHEET 1 OF 1

DESCRIPTION

FIBER DIST CABLE, 4 STRAND SC/UPC-SC/UPC OM1, 4.8MM PLENUM JKT, 2.0MM BREAKOUT AT .5M

SIZE	CAGE CODE	DRAWN BY	ITEM NO.	REV
A	43321	KDANG	FCA-4M1SCUSCUP2	A

6

5

4

3

2

1