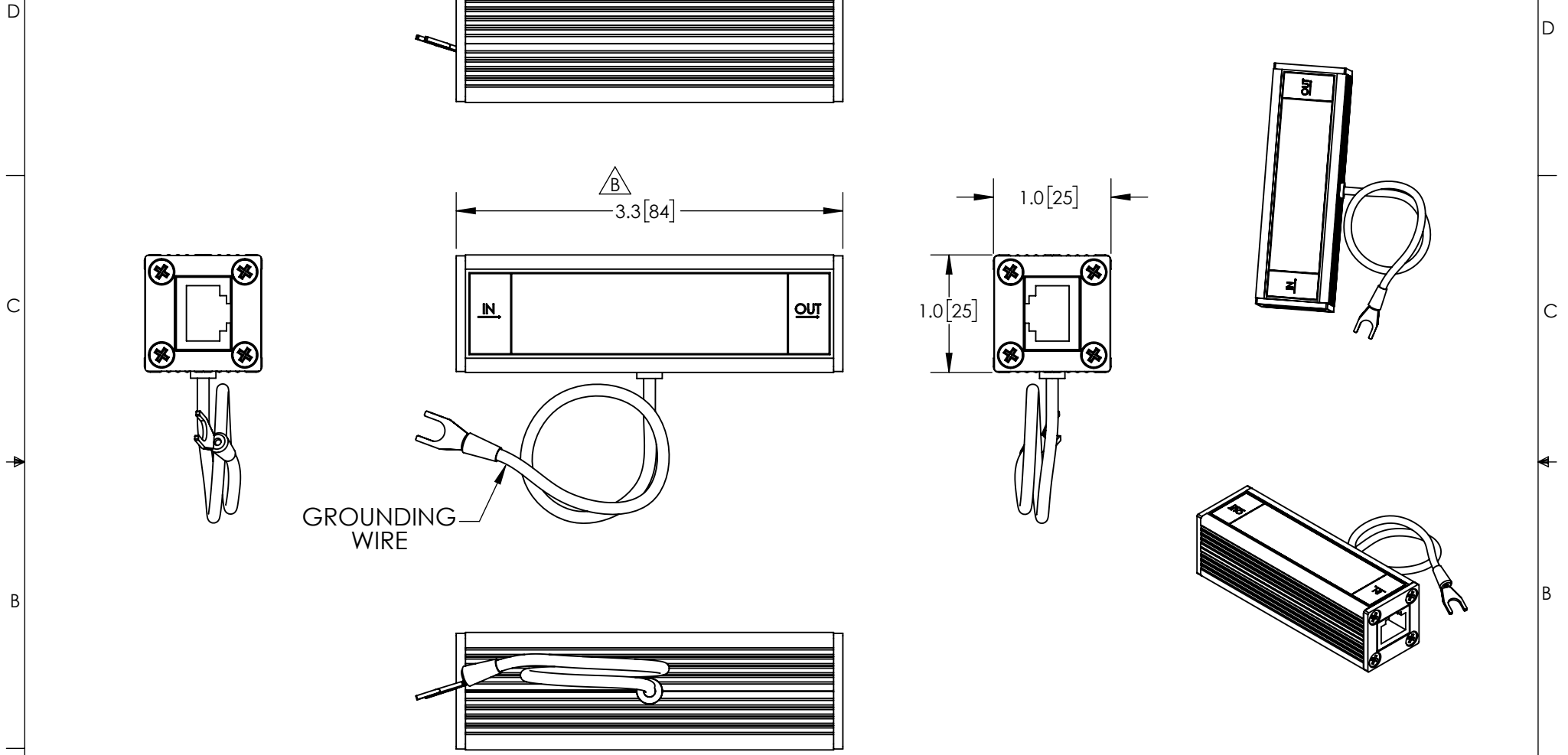


THE INFORMATION CONTAINED IN THIS DRAWING IS THE SOLE PROPERTY OF L-COM, INC. ANY REPRODUCTION IN PART OR WHOLE WITHOUT THE WRITTEN PERMISSION OF L-COM, INC. IS PROHIBITED.

REVISIONS			
REV	DESCRIPTION	DATE	APPROVED
A	INITIAL RELEASE	03/05/2014	BPUCHASKI
B	ECN 9736: CHANGE LENGTH 4.1 TO 3.3, REMOVE RoHS	03/11/2019	BPUCHASKI



NOTES:
 PACKAGING:
 COMPONENT SHALL BE PACKAGED IN ACCORDANCE WITH L-COM SPEC PKG-00105
 - ALL DIMENSIONS FOR REFERENCE ONLY -

UNLESS OTHERWISE SPECIFIED, DIMENSIONS ARE IN INCHES [mm] DIMENSIONAL TOLERANCES: .X = ±.1 [2.54] .XX = ±.01 [.25] .XXX = ±.005 [.13] ANGULAR TOLERANCES: ALL = ± 1° PROJECTION	APPROVALS DRAWN BY BPUCHASKI	DATE 03/04/2014		50 HIGH STREET NORTH ANDOVER, MA 01845		
	CHECKED BY K.BURGNER	03/04/2014		CATEGORY LIGHTNING PROTECTOR		
	APPROVED BY P.PESA	03/04/2014	PRODUCT DESCRIPTION 1000Mbps INDOOR CAT6 LIGHTNING PROTECTOR			
	CONFIGURATION DETAILS OF UNDIMENSIONED FEATURES MAY VARY COLOR VARIATIONS MAY OCCUR	SIZE A	FSCM NO. 43321	DWG. NO. ELP-CAT6	REV. B	SCALE: NONE CAD FILE: ELP-CAT6.SLDDRW SHEET 1 OF 1