

THE INFORMATION CONTAINED IN THIS DRAWING IS THE SOLE PROPERTY OF L-COM, INC. ANY REPRODUCTION IN PART OR WHOLE WITHOUT THE WRITTEN PERMISSION OF L-COM, INC. IS PROHIBITED.

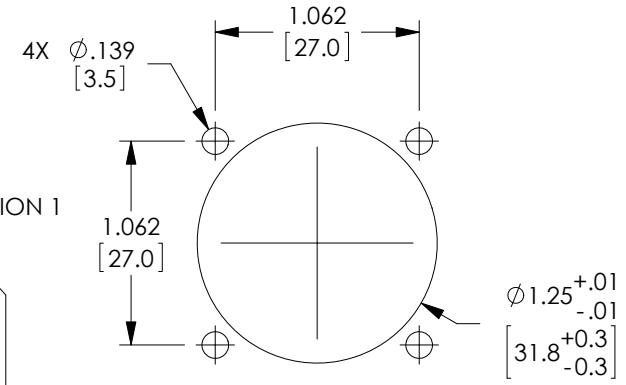
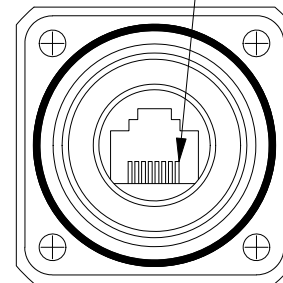
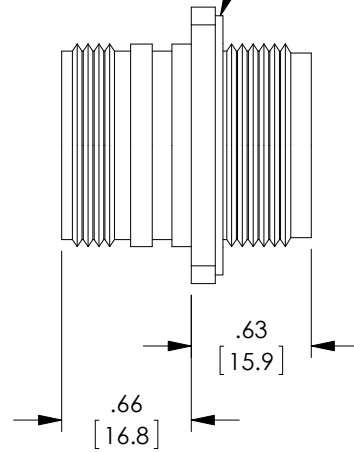
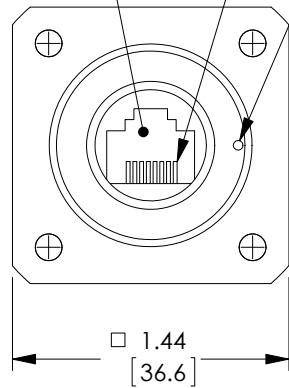
REVISIONS			
REV	DESCRIPTION	DATE	APPROVED
A	INITIAL RELEASE	7/31/17	D.FRISIELLO

RJ45 JACK (8P8C)
FRONT & BACK

POSITION 1

KEYING FEATURE

REMOVABLE
GASKET



RECOMMENDED
PANEL CUTOUT
PANEL THICKNESS: .188"/.062"

NOTES:

- MATERIAL:**
EXTERNAL PARTS: ALUMINUM/ZINC-NICKEL, (OLIVE DRAB)
INTERNAL PARTS: ALUMINUM
SEALS: SILICONE/NITRILE
- MISCELLANEOUS:**
RATING: IP-68.
MOUNTING HARDWARE NOT INCLUDED.
PERFORMANCE MEETS OR EXCESS CATEGORY 6
ANSI/EIA 568-C.2 SPECIFICATIONS.
- KIT INCLUDES:**
(1) GASKET
- ALL DIMENSIONS ARE FOR REFERENCE ONLY.
- COMPONENT SHALL BE INDIVIDUALLY PACKAGED
IN ACCORDANCE WITH L-COM SPECIFICATION LSP-010-1

UNLESS OTHERWISE SPECIFIED, DIMENSIONS ARE IN INCHES [mm] OVERALL CABLE LENGTH TOLERANCE: ≤12 [305] = +1 [25] / -0 >12 [305] ≤60 [1524] = +2 [51] / -0 >60 [1524] ≤120 [3048] = +4 [102] / -0 >120 [3048] ≤300 [7620] = +6 [152] / -0 >300 [7620] = +5% / -0%	APPROVALS	DATE	 50 HIGH STREET NORTH ANDOVER, MA 01845	
	DRAWN BY D.FRISIELLO	6/23/17		
ALL OTHER DIMENSIONAL TOLERANCES: .X = ± .2 [5.08] .XX = ± .02 [1.51] .XXX = ±.005 [1.13]	CHECKED BY M.MARTINEZ	7/21/17	PRODUCT DESCRIPTION C6 FLNG MNT SHLD ZNNI	
	APPROVED BY D.GUITADAURO	7/21/17		
PROJECTION 	CONFIGURATION DETAILS OF UNDIMENSIONED FEATURES MAY VARY		SCALE: NONE CAD FILE: ECSD0103U00.SLDDRW SHEET 1 OF 1	
COLOR VARIATIONS MAY OCCUR				