

6

5

4

3

2

1

## REVISION

ZONE	REV	DESCRIPTION	DATE	CHANGED BY	APPROVED
	A	INITIAL RELEASE	2/13/2026	DMAY	DGUTTADAURO

F

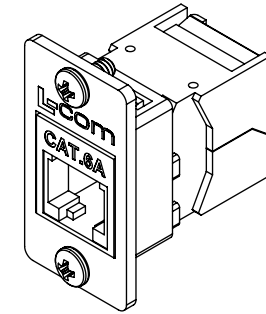
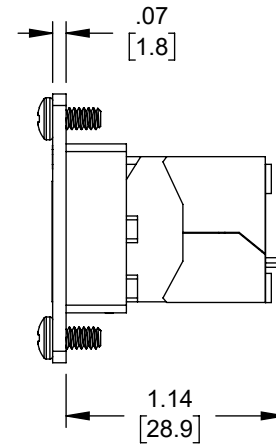
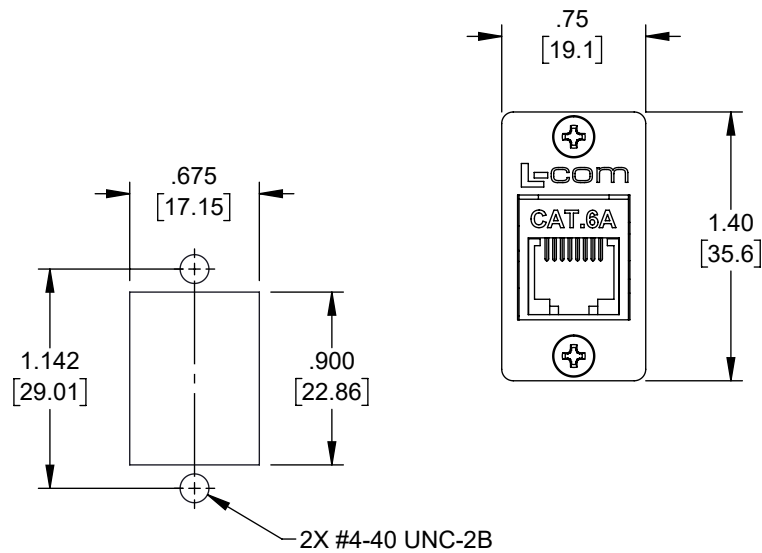
E

D

C

B

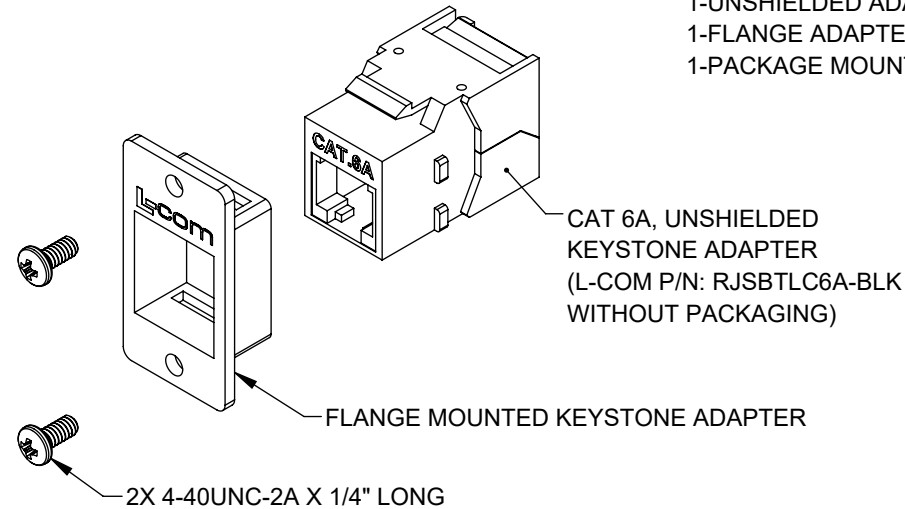
A



KIT SHOWN FULLY ASSEMBLED FOR CLARITY  
(KIT IS SHIPPED UN-ASSEMBLED)

## KIT INCLUDES:

- 1-UNSHIELDED ADAPTER
- 1-FLANGE ADAPTER
- 1-PACKAGE MOUNTING SCREWS (4-40x 1/4")



## NOTES:

## MATERIAL:

FLANGED ADAPTER: ZINC ALLOY

HARDWARE: STAINLESS STEEL.

## FINISH:

FLANGED ADAPTER: NICKEL PLATE.

## MISCELLANEOUS:

OPERATING TEMPERATURE: -10°C TO 60°C.

IDC: SUITABLE FOR 23-26AWG STRANDED AND SOLID WIRE.

MIN. 20-INSTALLATION CYCLES.

## PACKAGING:

KIT SHALL BE INDIVIDUALLY PACKAGED IN ACCORDANCE  
WITH L-COM PACKAGING SPECIFICATION PS-0031.

## REGULATORY COMPLIANCE:

EU RoHS DIRECTIVE (MOST RECENT RELEASED VERSION).

THE INFORMATION CONTAINED IN THIS DRAWING IS THE SOLE PROPERTY OF INFINITE ELECTRONICS, INC. ANY REPRODUCTION IN PART OR WHOLE WITHOUT THE WRITTEN PERMISSION OF INFINITE ELECTRONICS, INC. IS PROHIBITED. THESE COMMODITIES, TECHNOLOGY OR SOFTWARE WERE EXPORTED FROM THE UNITED STATES IN ACCORDANCE WITH THE EXPORT ADMINISTRATION REGULATIONS. DIVERSION CONTRARY TO U.S. LAW PROHIBITED.

UNLESS OTHERWISE SPECIFIED  
LEADING DIMENSIONS ARE INCHES  
DIMENSIONS IN [ ] ARE MILLIMETERS

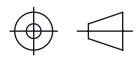
TOLERANCES:  
 .X = ±.2 [5]      FRACTIONS  
 .XX = ±.02 [0.5]      ± 1/32  
 .XXX = ±.005 [0.13]      ANGLES ± 1°

CABLE LENGTH TOLERANCES:  
 ≤12 [305] = +1 [25] / -0  
 >12 [305] ≤ 60 [1524] = +2 [51] / -0  
 >60 [1524] ≤ 120 [3048] = +4 [102] / -0  
 >120 [3048] ≤ 300 [7620] = +6 [152] / -0  
 >300 [7620] = +5% / -0

ALL DIMENSIONS ARE FOR REFERENCE ONLY  
AND SUBJECT TO CHANGE WITHOUT NOTICE.  
UN-DIMENSIONED/NON-CRITICAL FEATURES  
MAY VARY IN SIZE AND LOCATION  
COLORS MAY VARY

**L-com**  
an INFINIT® brand

Website: [www.L-com.com](http://www.L-com.com)  
Phone: 1.800.341.5266 | 1.978.682.6936



INTERPRET ALL DIMENSIONS AND  
TOLERANCES PER ASME Y14.5

SCALE	SHEET
NONE	1 OF 1

DESCRIPTION  
ETHERNET CATEGORY 6A/7 10Gig ULTRA SHORT-BODY TOOL-  
LESS IDC KEYSTONE JACK PANEL MOUNT FLANGE STYLE KIT,  
RJ45, UNSHIELDED, BLACK

SIZE	CAGE CODE	DRAWN BY	ITEM NO.	REV
A	43321	DMAY	ECFRJSBTL6A-BLK	A

6

5

4

3

2

1