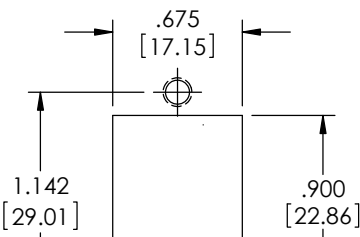


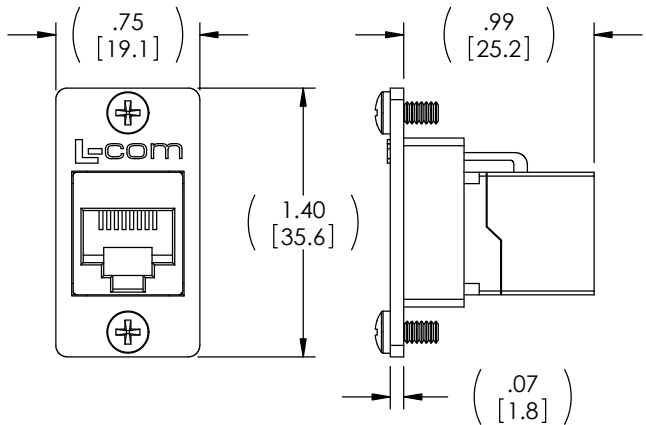
THE INFORMATION CONTAINED IN THIS DRAWING IS THE SOLE PROPERTY OF L-COM, INC. ANY REPRODUCTION IN PART OR WHOLE WITHOUT THE WRITTEN PERMISSION OF L-COM, INC. IS PROHIBITED.

REVISIONS			
REV	DESCRIPTION	DATE	APPROVED
E	ECN 6881: UPDATED DWG FORMAT, PKG, AND FLANGE ADAPTOR LOGO	6/17/13	D. DESJARDIN

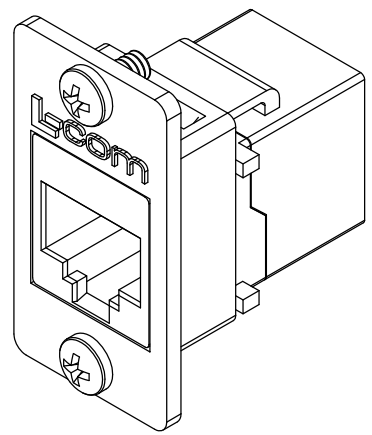


2X #4-40 UNC-2B THRU

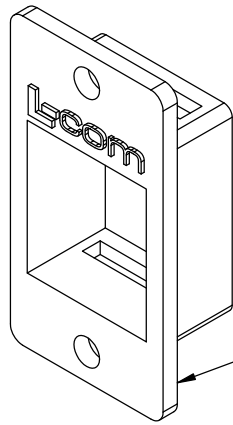
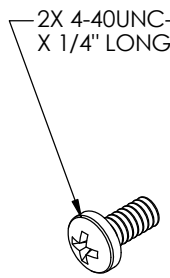
RECOMMENDED PANEL OPENING



CAT 3 RJ45 KEYSTONE COUPLER (L-COM P/N: TDG1026KC3)



2X 4-40UNC-2A X 1/4" LONG



FLANGE MOUNTED KEYSTONE ADAPTOR

**KIT SHOWN FULLY ASSEMBLED FOR CLARITY (KIT IS SHIPPED UN-ASSEMBLED)**

- KIT INCLUDES:
- 1- COUPLER
  - 1- FLANGE ADAPTOR
  - 1- PACKAGE MOUNTING SCREWS (4-40x 1/4")

E

**NOTES:**

**MATERIAL:**  
FLANGED ADAPTOR: ZINC ALLOY  
HARDWARE: STAINLESS STEEL.

**FINISH:**  
FLANGED ADAPTOR: NICKEL PLATE.

**MISCELLANEOUS:**  
CURRENT RATING: 1.5A

**PACKAGING:**  
KITS SHALL BE INDIVIDUALLY PACKAGED IN ACCORDANCE WITH L-COM PACKAGING SPECIFICATION PS-0031.

**REGULATORY COMPLIANCE:**  
CE2011/65/EU (RoHS DIRECTIVE)

E

UNLESS OTHERWISE SPECIFIED, DIMENSIONS ARE IN INCHES [mm] OVERALL CABLE LENGTH TOLERANCE: ≤12 [305] = +1 [25] / -0 >12 [305] ≤60 [1524] = +2 [51] / -0 >60 [1524] ≤120 [3048] = +4 [102] / -0 >120 [3048] ≤300 [7620] = +6 [152] / -0 >300 [7620] = +5% / -0% ALL OTHER DIMENSIONAL TOLERANCES: .X = ± .2 [5.08] .XX = ± .02 [51] .XXX = ±.005 [1.27]	APPROVALS DRAWN BY B.MAZEJKA CHECKED BY D.PARHAM APPROVED BY R.CARRICK	DATE 7/1/03 7/2/03 7/3/03	45 BEECHWOOD DRIVE NORTH ANDOVER, MA 01845	
	CONFIGURATION DETAILS OF UNDIMENSIONED FEATURES MAY VARY		CATEGORY TELECOM/MODULAR	
	COLOR VARIATIONS MAY OCCUR		PRODUCT DESCRIPTION CAT 3 RJ45 PNL CPLR KIT	
	PROJECTION 	SIZE <b>A</b>	FSCM NO. <b>43321</b>	DWG. NO. <b>ECF504-C3</b>
SCALE: NONE		CAD FILE: ECF504-C3.SLDDRW		SHEET 1 OF 1

D

C

B

A

8 7 6 5 4 3 2 1