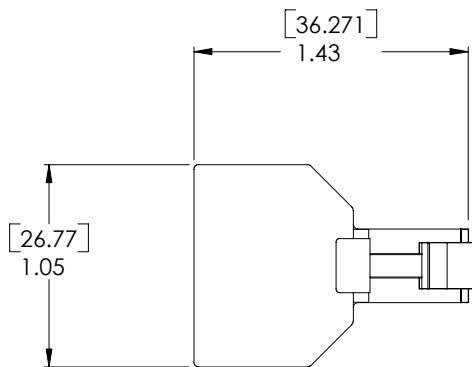
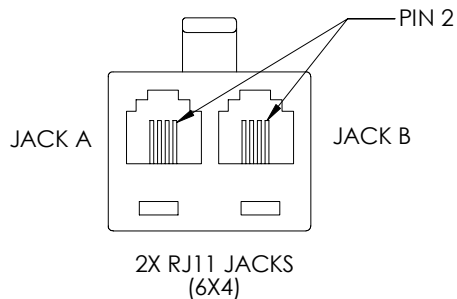


THE INFORMATION CONTAINED IN THIS DRAWING IS THE SOLE PROPERTY OF L-COM, INC. ANY REPRODUCTION IN PART OR WHOLE WITHOUT THE WRITTEN PERMISSION OF L-COM, INC. IS PROHIBITED.

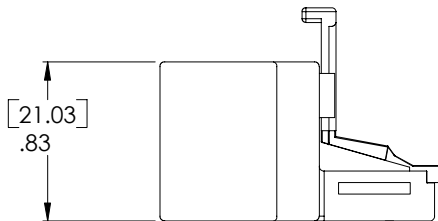
REVISIONS			
REV	DESCRIPTION	DATE	APPROVED
A	RELEASED FOR PRODUCTION	3/21/01	DFP
.	.	.	.
.	.	.	.
.	.	.	.



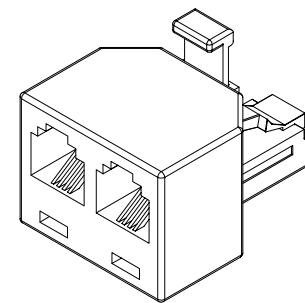
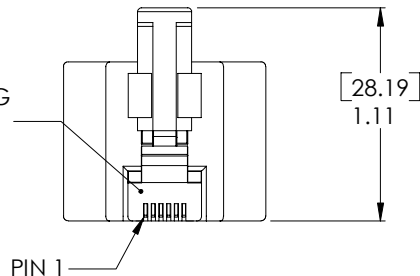
[26.77]
1.05



[21.03]
.83



RJ 11 PLUG
(6X4)



WIRING CHART		
PLUG	JACK A	JACK B
1	—	—
2	2	2
3	3	3
4	4	4
5	5	5
6	—	—

NOTE:

- JACKS ACCEPT RJ11 PLUGS.
- MATERIAL:
CONTACTS: GOLD PLATED
HOUSING: ABS; COLOR: IVORY
- DRAWING SUPERCEDES DWG# 92-050802.

UNLESS OTHERWISE SPECIFIED,
DIMENSIONS ARE IN INCHES.
TOLERANCES ARE:
.X ±.1
.XX ±.01
.XXX ±.005
CABLE LENGTH TOLERANCE
<300" ±5% >300" ±2%

APPROVALS	DATE
DRAWN DOUG PARHAM	3/15/2001
CHECKED TOM CLARK	3/16/01
APPROVED BY RON CARRICK	3/20/2001

CONFIGURATION DETAILS OF
UNDIMENSIONED FEATURES
MAY VARY

L-com 45 BEECHWOOD DRIVE
NORTH ANDOVER, MA
01845

PRODUCT DESCRIPTION
TELECOM MODULAR

DRAWING TITLE
OUTLINE DRAWING

SIZE **A** DWG. NO. **EC503-4-OD1** REV. **A**

SCALE 1:1 CAD FILE: EC503-4-OD1.SLDDRW SHEET 1 OF 1