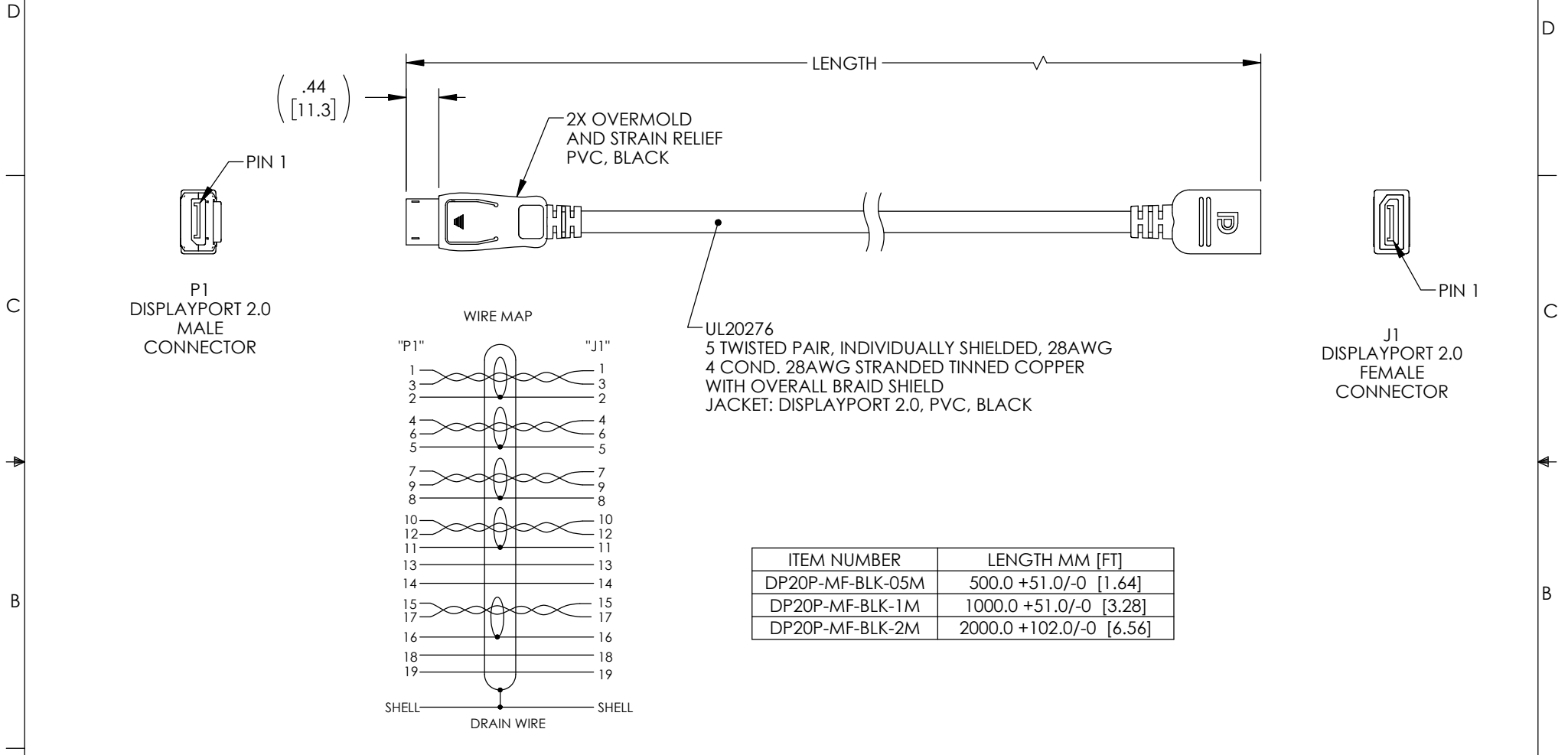


THE INFORMATION CONTAINED IN THIS DRAWING IS THE SOLE PROPERTY OF L-COM, INC. ANY REPRODUCTION IN PART OR WHOLE WITHOUT THE WRITTEN PERMISSION OF L-COM, INC. IS PROHIBITED.

REVISIONS			
REV	DESCRIPTION	DATE	APPROVED
A	INITIAL RELEASE	01/17/2022	GUTTADAURO



WIRE MAP


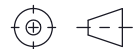
"P1"	"J1"
1	1
3	3
2	2
4	4
6	6
5	5
7	7
9	9
8	8
10	10
12	12
11	11
13	13
14	14
15	15
17	17
16	16
18	18
19	19

SHELL — DRAIN WIRE — SHELL

ITEM NUMBER	LENGTH MM [FT]
DP20P-MF-BLK-05M	500.0 +51.0/-0 [1.64]
DP20P-MF-BLK-1M	1000.0 +51.0/-0 [3.28]
DP20P-MF-BLK-2M	2000.0 +102.0/-0 [6.56]

- NOTES:**
- VOLTAGE TEST: DC 300V 10MS  
INSULATION RESISTANCE: 5.0M ohm/min.  
CONDUCTANCE RESISTANCE: 5.0 ohm/max.
  - DUST CAPS INSTALLED AT SHIPPING. (NOT SHOWN)
  - CABLE ASSEMBLY SHALL BE TESTED FOR CONTINUITY.
  - CABLE ASSEMBLY SHALL BE INDIVIDUALLY PACKAGED IN ACCORDANCE WITH L-COM SPECIFICATION PS-0031.

**REGULATORY COMPLIANCE:**  
EU RoHS DIRECTIVE (MOST RECENT RELEASED VERSION)

UNLESS OTHERWISE SPECIFIED, DIMENSIONS ARE IN INCHES [mm] OVERALL CABLE LENGTH TOLERANCE: ≤12 [305] = +1 [25] / -0 >12 [305] ≤60 [1524] = +2 [51] / -0 >60 [1524] ≤120 [3048] = +4 [102] / -0 >120 [3048] ≤300 [7620] = +6 [152] / -0 >300 [7620] = +5% / -0 ALL OTHER DIMENSIONAL TOLERANCES: .X = ± .2 [5]   FRACTIONS ± 1/32 .XX = ± .02 [5]   ANGLES ± 1° .XXX = ± .005 [13]	APPROVALS DRAWN BY DFRISIELLO CHECKED BY DGUST APPROVED BY GUTTA DAURO	DATE 01/17/2022 01/17/2022 01/17/2022	 an INFINITI® brand 50 High Street, West Mill, North Andover, MA 01845 USA. Phone: 1.800.341.5266 1.978.682.6936
	CONFIGURATION DETAILS OF UNDIMENSIONED FEATURES MAY VARY		CATEGORY AUDIO/VIDEO
	THIRD-ANGLE PROJECTION 		PRODUCT DESCRIPTION DisplayPort 2.0 Assembly, M/F, PVC, BLK
	COLOR VARIATIONS MAY OCCUR	SIZE <b>A</b>	CAGE CODE <b>43321</b>

SCALE: NONE | CAD FILE: DP20P-MF-BLK.SLDDRW | SHEET 1 OF 1