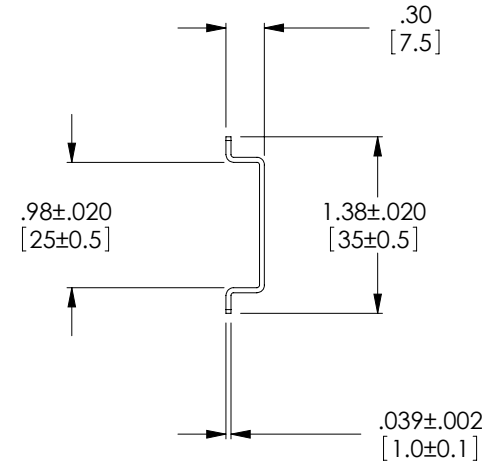
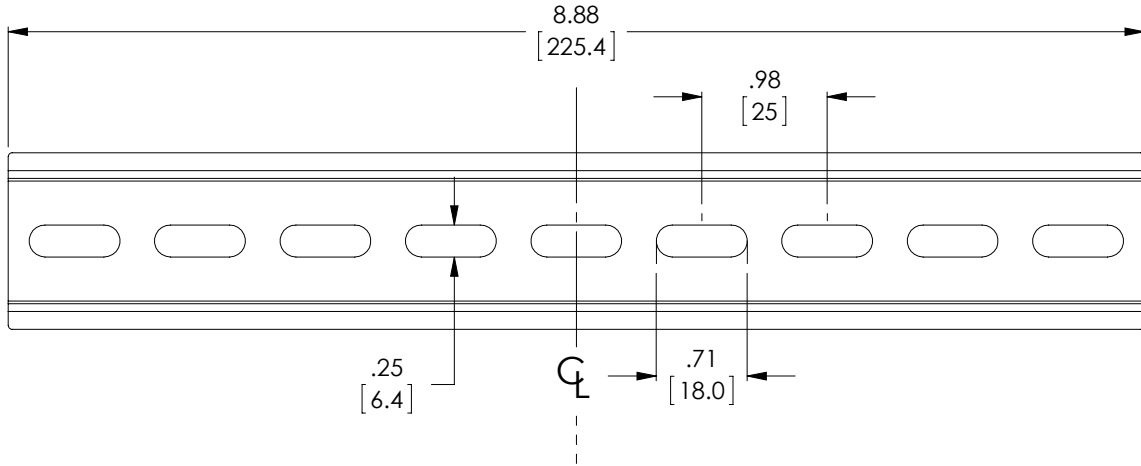


THE INFORMATION CONTAINED IN THIS DRAWING IS THE SOLE PROPERTY OF L-COM, INC. ANY REPRODUCTION IN PART OR WHOLE WITHOUT THE WRITTEN PERMISSION OF L-COM, INC. IS PROHIBITED.

REVISIONS			
REV	DESCRIPTION	DATE	APPROVED
A	INITIAL RELEASE	6/12/13	D.GRIFFIN



NOTE:

MATERIAL: STEEL
FINISH: ZINC PLATED

1. MOUNTING SCREWS: TWO 10-32UNF-2A X 1/2" LONG COMBINATION HEAD SCREWS PACKAGED IN A CLEAR PLASTIC BAG.
2. DIN RAIL SHALL BE INDIVIDUALLY PACKAGED (WITH BAG OF SCREWS DESCRIBED IN NOTE 1) IN ACCORDANCE WITH L-COM SPECIFICATION PS-0031.

REGULATORY COMPLIANCE:
RoHS, CE

UNLESS OTHERWISE SPECIFIED, DIMENSIONS ARE IN INCHES [mm] OVERALL CABLE LENGTH TOLERANCE: ≤12 [305] = +1 [25] / -0 >12 [305] ≤60 [1524] = +2 [51] / -0 >60 [1524] ≤120 [3048] = +4 [102] / -0 >120 [3048] ≤300 [7620] = +6 [152] / -0 >300 [7620] = +3% / -0%	APPROVALS	DATE		45 BEECHWOOD DRIVE NORTH ANDOVER, MA 01845
	DRAWN BY B.PUCHASKI	06/11/13		
ALL OTHER DIMENSIONAL TOLERANCES: .X = ±.2 .XX = ±.02 .XXX = ±.005	CHECKED BY K.BURGNER	06/11/13	CATEGORY ENCLOSURE	
	APPROVED BY P.PESA	06/11/13	PRODUCT DESCRIPTION 35mm DIN RAIL FOR NB12 SERIES ENCLOSURE	
PROJECTION 	CONFIGURATION DETAILS OF UNDIMENSIONED FEATURES MAY VARY	COLOR VARIATIONS MAY OCCUR	SIZE A	FSCM NO. 43321
			DWG. NO. DIN-35-NB12	REV. A
			SCALE: NONE	CAD FILE: DIN-35-NB12.SLDDRW
			SHEET 1 OF 1	