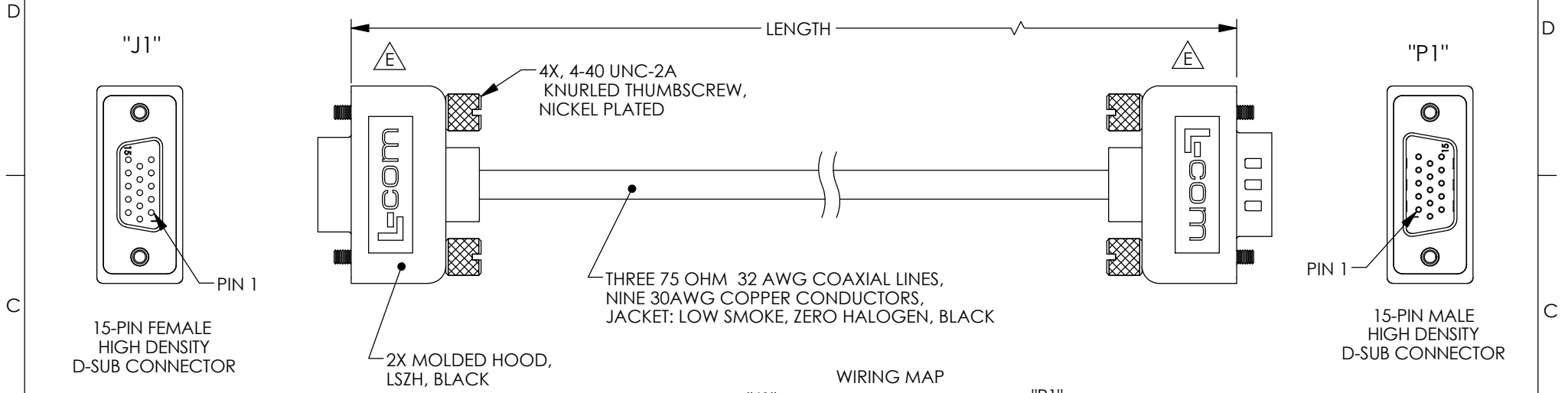


8 7 6 5 4 3 2 1

THE INFORMATION CONTAINED IN THIS DRAWING IS THE SOLE PROPERTY OF L-COM, INC. ANY REPRODUCTION IN PART OR WHOLE WITHOUT THE WRITTEN PERMISSION OF L-COM, INC. IS PROHIBITED.

RoHS Compliant ✓

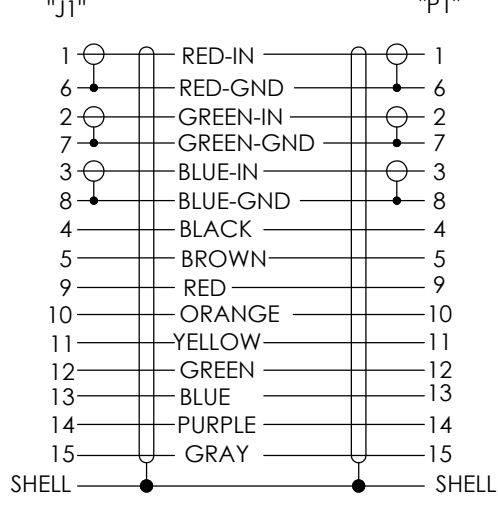
REVISIONS			
REV	DESCRIPTION	DATE	APPROVED
E	ECN 6807: REVISED L-COM LOGO'S, NEW FORMAT, REVISED PACKAGING	4/18/13	D.FRISIELLO



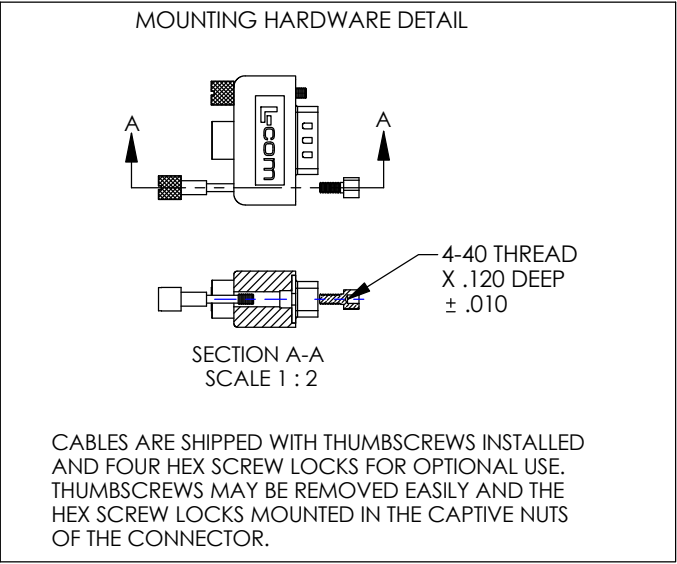
NOTES:

- CABLE ASSEMBLY SHALL BE TESTED FOR CONTINUITY.
- CABLE ASSEMBLY SHALL BE INDIVIDUALLY PACKAGED IN ACCORDANCE WITH L-COM SPECIFICATION PS-0031.

WIRING MAP



MODEL NUMBER	LENGTH FEET [METERS]
CTL3VGAMF-5TZ	5.0 [1.52]
CTL3VGAMF-10TZ	10.0 [3.05]
CTL3VGAMF-15TZ	15.0 [4.57]
CTL3VGAMF-25TZ	25.0 [7.62]
CTL3VGAMF-50TZ	50.0 [15.24]



UNLESS OTHERWISE SPECIFIED, DIMENSIONS ARE IN INCHES [mm] OVERALL CABLE LENGTH TOLERANCE: ≤12 [305] = +1 [25] / -0 >12 [305] ≤60 [1524] = +2 [51] / -0 >60 [1524] ≤120 [3048] = +4 [102] / -0 >120 [3048] ≤300 [7620] = +6 [152] / -0 >300 [7620] = +5% / -0%	APPROVALS	DATE		45 BEECHWOOD DRIVE NORTH ANDOVER, MA 01845
	DRAWN BY D.PARHAM	07/14/2005		
ALL OTHER DIMENSIONAL TOLERANCES: .X = ± .2 .XX = ± .02 .XXX = ± .005	CHECKED BY M.LAHEY	08/10/2005	CATEGORY AUDIO/VIDEO	
	APPROVED BY C.MCCORMICK	08/10/2005	PRODUCT DESCRIPTION THIN-LINE LSZH VIDEO CABLE ASSY M/F	
PROJECTION	CONFIGURATION DETAILS OF UNDIMENSIONED FEATURES MAY VARY	COLOR VARIATIONS MAY OCCUR	SIZE A	FSCM NO. 43321
			DWG. NO. CTL3VGAMF-TZ	REV. E
			SCALE: NONE	CAD FILE: CTL3VGAMF-TZ.SLDDRW
				SHEET 1 OF 1