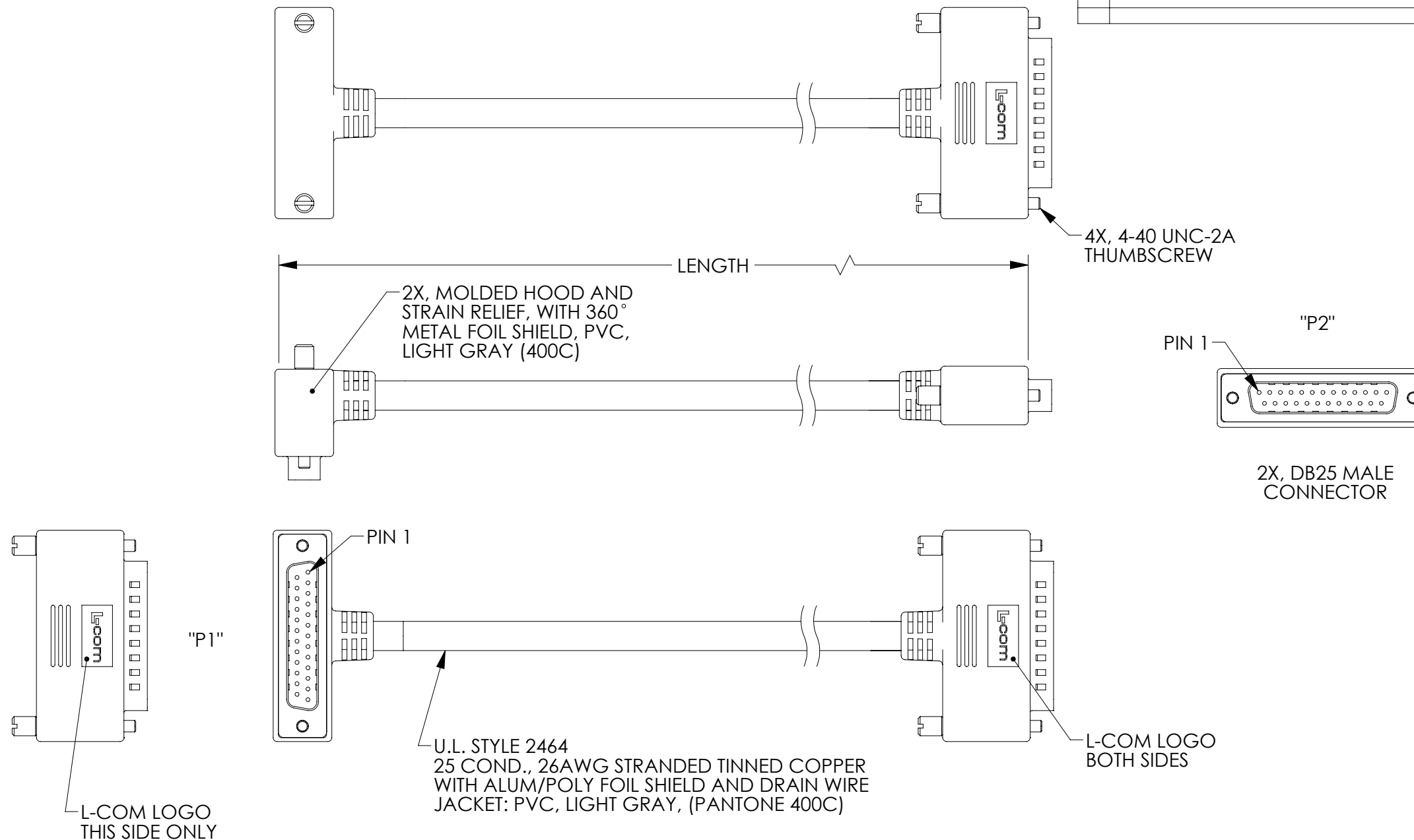


THE INFORMATION CONTAINED IN THIS DRAWING IS THE SOLE PROPERTY OF L-COM, INC. ANY REPRODUCTIONS IN PART OR WHOLE WITHOUT THE WRITTEN PERMISSION OF L-COM, INC. IS PROHIBITED.

REVISIONS			
REV	DESCRIPTION	DATE	CHANGED BY
A	INITIAL RELEASE	1/15/14	D. GRIFFIN

WIRING MAP		
"P1"	COLOR	"P2"
1	BLACK	1
2	BROWN	2
3	RED	3
4	ORANGE	4
5	YELLOW	5
6	GREEN	6
7	BLUE	7
8	PURPLE	8
9	GRAY	9
10	WHITE	10
11	PINK	11
12	LIGHT GREEN	12
13	BLACK / WHITE	13
14	BROWN / WHITE	14
15	RED / WHITE	15
16	ORANGE / WHITE	16
17	GREEN / WHITE	17
18	BLUE / WHITE	18
19	PURPLE / WHITE	19
20	RED / BLACK	20
21	ORANGE / BLACK	21
22	YELLOW / BLACK	22
23	GREEN / BLACK	23
24	GRAY / BLACK	24
25	PINK / BLACK	25
SHELL	DRAIN WIRE	SHELL



MODEL NUMBER	LENGTH FEET [METERS]
CSMNRA25-4MM-1	1.0 [.31]
CSMNRA25-4MM-2.5	2.5 [.76]
CSMNRA25-4MM-5	5.0 [1.52]
CSMNRA25-4MM-10	10.0 [3.05]
CSMNRA25-4MM-15	15.0 [4.57]
CSMNRA25-4MM-25	25.0 [7.62]

**NOTES:**

1. CABLE ASSEMBLY SHALL BE TESTED FOR CONTINUITY.
2. CABLE ASSEMBLY SHALL BE INDIVIDUALLY PACKAGED IN ACCORDANCE WITH L-COM SPECIFICATION PS-0031.

**REGULATORY COMPLIANCE:**  
CE2011/65/EU(RoHS DIRECTIVE)

UNLESS OTHERWISE SPECIFIED, DIMENSIONS ARE IN INCHES [mm]		APPROVALS		DATE	 45 BEECHWOOD DRIVE NORTH ANDOVER, MA 01845
OVERALL CABLE LENGTH TOLERANCE: ≤12 [305] = +1 [25] / -0 >12 [305] ≤60 [1524] = +2[51] / -0 >60 [1524] ≤120 [3048] = +4 [102] / -0 >120 [3048] ≤300 [7620] = +6 [152] / -0 >300 [7620] = +5% / -0%		DRAWN BY D.FRISIELLO		9/13/13	
ALL OTHER DIMENSIONAL TOLERANCES: .X = ±.2 [5.08] .XX = ±.02 [5.1] .XXX = ±.005 [1.3]		CHECKED BY R.SCOTT		9/13/13	CATEGORY D-SUBMINIATURE
PROJECTION		APPROVED BY S.SMITH		9/13/13	PRODUCT DESCRIPTION CA DB 25M/M STR-RA EXIT 4
		CONFIGURATION DETAILS OF UNDIMENSIONED FEATURES MAY VARY			SIZE <b>B</b>
		COLOR VARIATIONS MAY OCCUR			FSCM NO. <b>43321</b>
					DWG. NO. CSMNRA25-4MM
					REV. <b>A</b>
					SCALE: 1:1
					CAD FILE: CSMNRA25-4MM.SLDDRW
					SHEET 1 OF 1