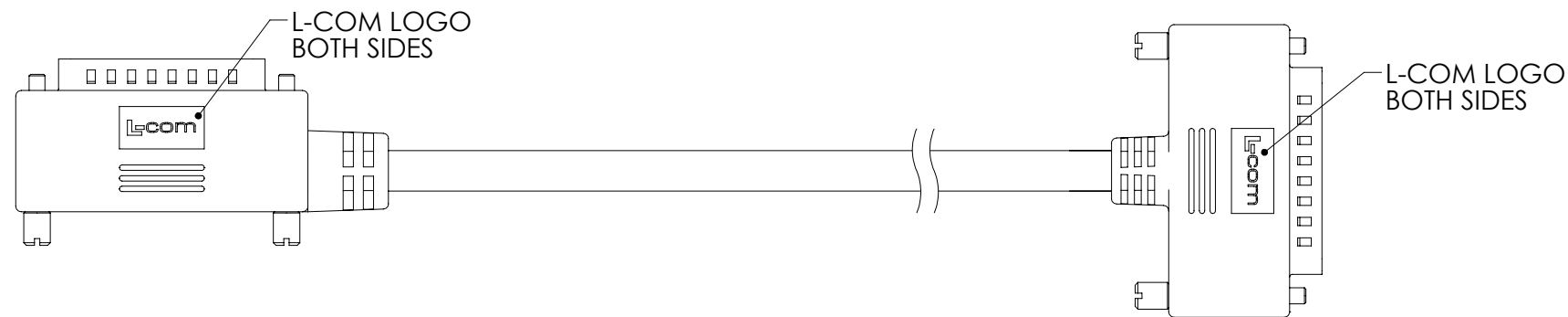
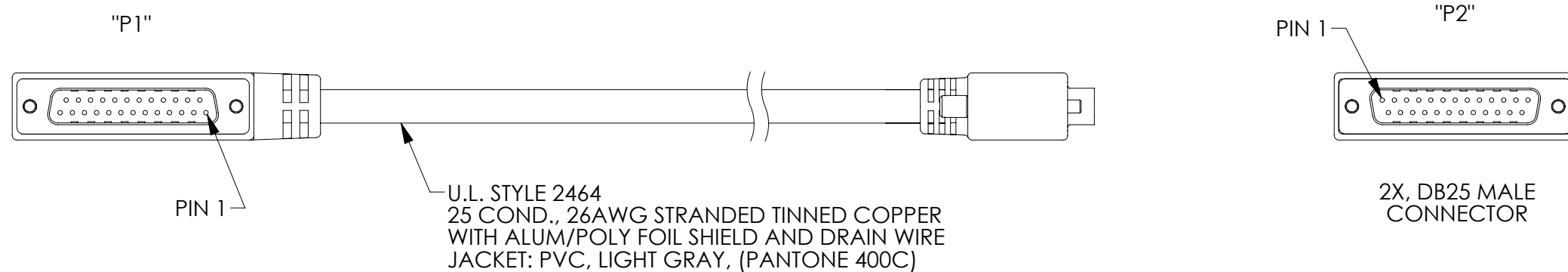
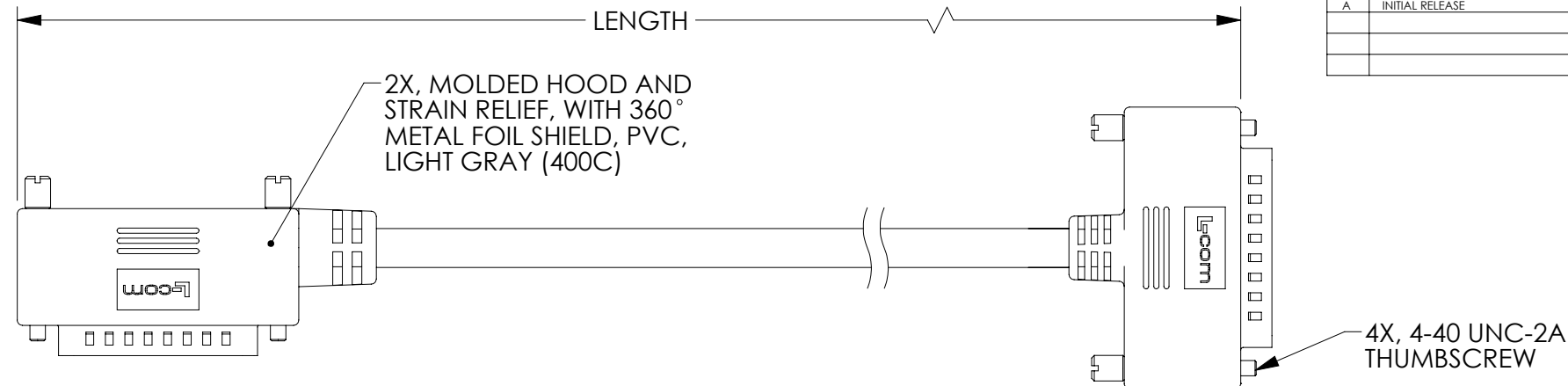


THE INFORMATION CONTAINED IN THIS DRAWING IS THE SOLE PROPERTY OF L-COM, INC. ANY REPRODUCTIONS IN PART OR WHOLE WITHOUT THE WRITTEN PERMISSION OF L-COM, INC. IS PROHIBITED.

| REVISIONS |                 |         |            |
|-----------|-----------------|---------|------------|
| REV       | DESCRIPTION     | DATE    | CHANGED BY |
| A         | INITIAL RELEASE | 1/30/14 | D.GRIFFIN  |
|           |                 |         |            |
|           |                 |         |            |

| WIRING MAP |                |       |
|------------|----------------|-------|
| "P1"       | COLOR          | "P2"  |
| 1          | BLACK          | 1     |
| 2          | BROWN          | 2     |
| 3          | RED            | 3     |
| 4          | ORANGE         | 4     |
| 5          | YELLOW         | 5     |
| 6          | GREEN          | 6     |
| 7          | BLUE           | 7     |
| 8          | PURPLE         | 8     |
| 9          | GRAY           | 9     |
| 10         | WHITE          | 10    |
| 11         | PINK           | 11    |
| 12         | LIGHT GREEN    | 12    |
| 13         | BLACK / WHITE  | 13    |
| 14         | BROWN / WHITE  | 14    |
| 15         | RED / WHITE    | 15    |
| 16         | ORANGE / WHITE | 16    |
| 17         | GREEN / WHITE  | 17    |
| 18         | BLUE / WHITE   | 18    |
| 19         | PURPLE / WHITE | 19    |
| 20         | RED / BLACK    | 20    |
| 21         | ORANGE / BLACK | 21    |
| 22         | YELLOW / BLACK | 22    |
| 23         | GREEN / BLACK  | 23    |
| 24         | GRAY / BLACK   | 24    |
| 25         | PINK / BLACK   | 25    |
| SHELL      | DRAIN WIRE     | SHELL |



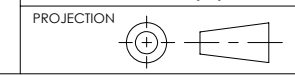
| MODEL NUMBER     | LENGTH FEET [METERS] |
|------------------|----------------------|
| CSMNRA25-2MM-1   | 1.0 [.31]            |
| CSMNRA25-2MM-2.5 | 2.5 [.76]            |
| CSMNRA25-2MM-5   | 5.0 [1.52]           |
| CSMNRA25-2MM-10  | 10.0 [3.05]          |
| CSMNRA25-2MM-15  | 15.0 [4.57]          |
| CSMNRA25-2MM-25  | 25.0 [7.62]          |

**NOTES:**

1. CABLE ASSEMBLY SHALL BE TESTED FOR CONTINUITY.
2. CABLE ASSEMBLY SHALL BE INDIVIDUALLY PACKAGED IN ACCORDANCE WITH L-COM SPECIFICATION PS-0031.

**REGULATORY COMPLIANCE:**  
CE2011/65/EU(RoHS DIRECTIVE)

UNLESS OTHERWISE SPECIFIED, DIMENSIONS ARE IN INCHES [mm]  
 OVERALL CABLE LENGTH TOLERANCE:  
 ≤12 [305] = +1 [25] / -0  
 >12 [305] ≤60 [1524] = +2[51] / -0  
 >60 [1524] ≤120 [3048] = +4 [102] / -0  
 >120 [3048] ≤300 [7620] = +6 [152] / -0  
 >300 [7620] = +5% / -0%  
 ALL OTHER DIMENSIONAL TOLERANCES:  
 .X = ±.2 [5.08]  
 .XX = ±.02 [5.1]  
 .XXX = ±.005 [1.3]



| APPROVALS               | DATE    |
|-------------------------|---------|
| DRAWN BY<br>D.FRISIELLO | 9/13/13 |
| CHECKED BY<br>R.SCOTT   | 9/13/13 |
| APPROVED BY<br>S.SMITH  | 9/13/13 |

CONFIGURATION DETAILS OF UNDIMENSIONED FEATURES MAY VARY  
 COLOR VARIATIONS MAY OCCUR

**L-com** Global Connectivity 45 BEECHWOOD DRIVE NORTH ANDOVER, MA 01845

CATEGORY: D-SUBMINIATURE

PRODUCT DESCRIPTION: CA DB 25M/M STR-RA EXIT 2

|          |              |              |          |
|----------|--------------|--------------|----------|
| SIZE     | FSCM NO.     | DWG. NO.     | REV.     |
| <b>B</b> | <b>43321</b> | CSMNRA25-2MM | <b>A</b> |

SCALE: 1:1 CAD FILE: CSMNRA25-2MM.SLDDRW SHEET 1 OF 1