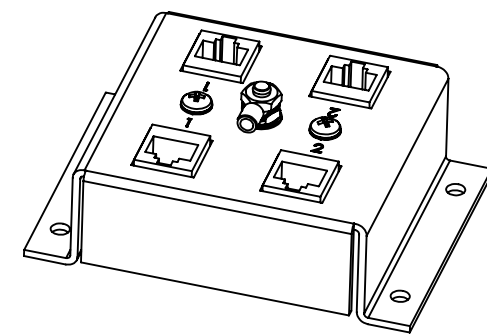
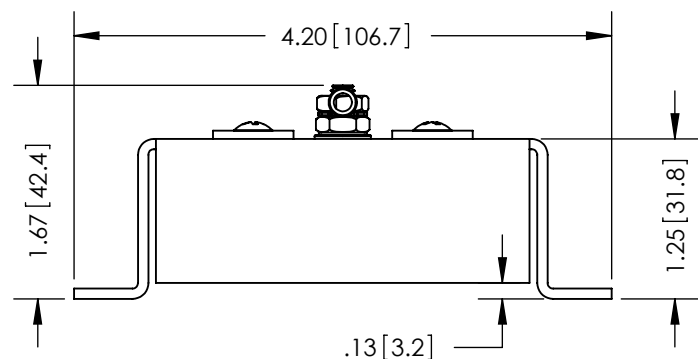
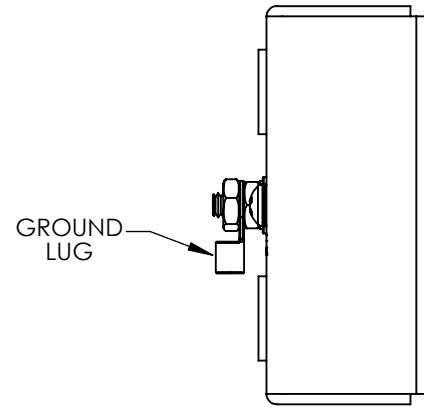
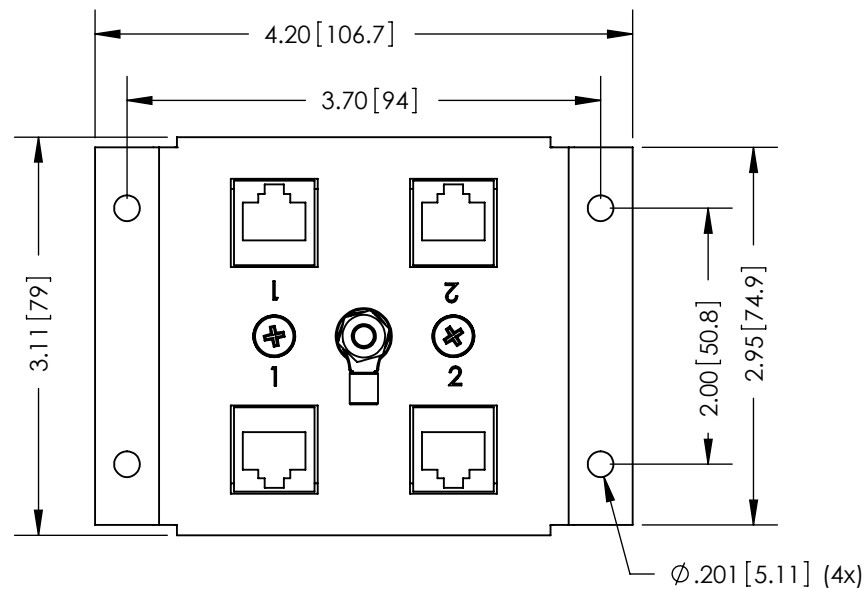


THE INFORMATION CONTAINED IN THIS DRAWING IS THE SOLE PROPERTY OF L-COM, INC. ANY REPRODUCTION IN PART OR WHOLE WITHOUT THE WRITTEN PERMISSION OF L-COM, INC. IS PROHIBITED.

REVISIONS			
REV	DESCRIPTION	DATE	APPROVED
A	INITIAL RELEASE	11/19/13	D.GRIFFIN

D
C
B
A



NOTE:
 1- COMPONENTS SHALL BE INDIVIDUALLY PACKAGED IN ACCORDANCE WITH L-COM SPECIFICATION PKG-00012
 - ALL DIMENSIONS ARE FOR REFERENCE ONLY -
REGULATORY COMPLIANCE:
 CE2011/65/EU (RoHS DIRECTIVE)

UNLESS OTHERWISE SPECIFIED, DIMENSIONS ARE IN INCHES [mm] DIMENSIONAL TOLERANCES: .X = ±.1 [2.54] .XX = ±.01 [.25] .XXX = ±.005 [.13] ANGULAR TOLERANCES: ALL = ± 1° PROJECTION	APPROVALS DRAWN BY B.PUCHASKI CHECKED BY K.BURGNER APPROVED BY P.PESA	DATE 11/15/13 11/15/13 11/15/13	 45 BEECHWOOD DRIVE NORTH ANDOVER, MA 01845
	CATEGORY LIGHTNING PROTECTOR		PRODUCT DESCRIPTION 2-PORT CAT6 INDOOR LIGHTNING PROTECTOR
	CONFIGURATION DETAILS OF UNDIMENSIONED FEATURES MAY VARY		
	COLOR VARIATIONS MAY OCCUR	SIZE A	FSCM NO. 43321
SCALE: NONE		CAD FILE: CMSP-CAT6-2.SLDDRW	
SHEET 1 OF 1			REV. A

8 7 6 5 4 3 2 1