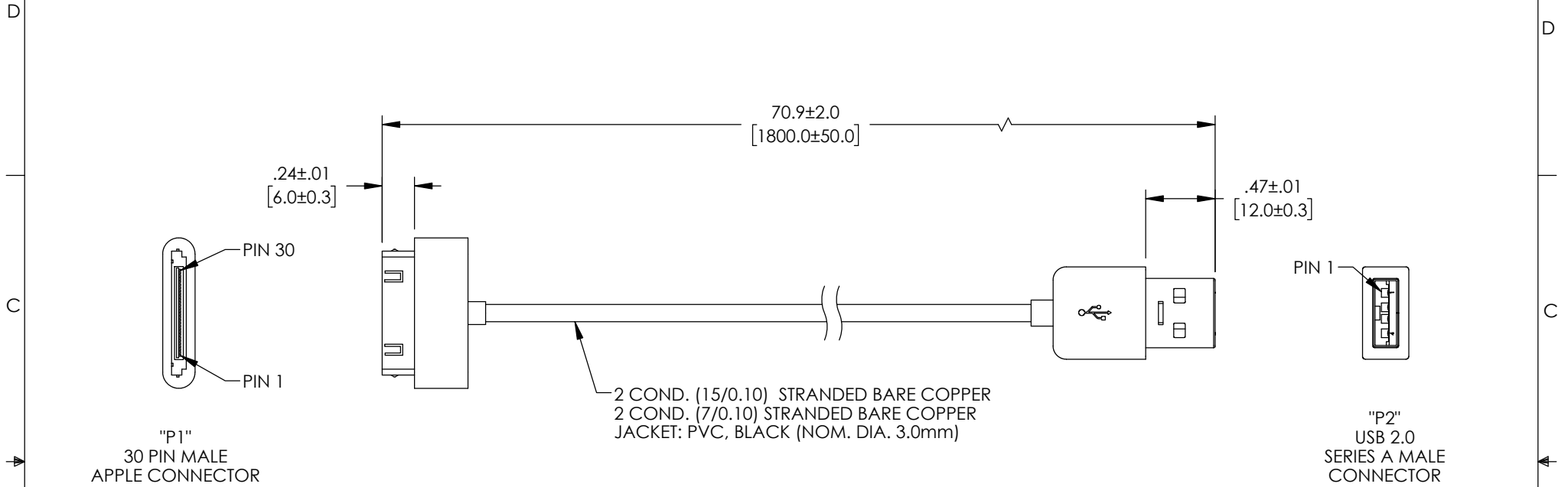


THE INFORMATION CONTAINED IN THIS DRAWING IS THE SOLE PROPERTY OF L-COM, INC. ANY REPRODUCTION IN PART OR WHOLE WITHOUT THE WRITTEN PERMISSION OF L-COM, INC. IS PROHIBITED.


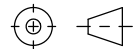
REVISIONS			
REV	DESCRIPTION	DATE	APPROVED
A	INITIAL RELEASE	08/17/2022	GUTTADAURO



WIRING MAP		
"P1"	COLOR	"P2"
23	RED	1
25	WHITE	2
27	GREEN	3
16	BLACK	4
SHELL	-	SHELL

- NOTES:**
- CABLE TESTING:**
- INSULATION RESISTANCE: $\geq 10M \Omega / 300 VDC$
 - CONDUCTANCE RESISTANCE: $\leq 5 \Omega$
 - ALL DIMENSIONS ARE FOR REFERENCE ONLY.
 - CABLE ASSEMBLY SHALL BE TESTED FOR CONTINUITY.
 - CABLE ASSEMBLY SHALL BE INDIVIDUALLY PACKAGED IN ACCORDANCE WITH L-COM SPECIFICATION PS-0031.

REGULATORY COMPLIANCE:
EU RoHS DIRECTIVE (MOST RECENT RELEASED VERSION)

UNLESS OTHERWISE SPECIFIED, DIMENSIONS ARE IN INCHES [mm] OVERALL CABLE LENGTH TOLERANCE: $\leq 12 [305] = +1 [25] / -0$ $>12 [305] \leq 60 [1524] = +2 [51] / -0$ $>60 [1524] \leq 120 [3048] = +4 [102] / -0$ $>120 [3048] \leq 300 [7620] = +6 [152] / -0$ $>300 [7620] = +5\% / -0$ ALL OTHER DIMENSIONAL TOLERANCES: $.X = \pm .2 [5]$ FRACTIONS $\pm 1/32$ $.XX = \pm .02 [.5]$ ANGLES $\pm 1^\circ$ $.XXX = \pm .005 [.13]$	APPROVALS	DATE	 50 High Street, West Mill, North Andover, MA 01845 USA. Phone: 1.800.341.5266 1.978.682.6936
	DRAWN BY DFRISIELLO	08/17/2022	
APPROVED BY GUTTADAURO	08/17/2022	CATEGORY AUDIO/VIDEO	
THIRD-ANGLE PROJECTION 	CONFIGURATION DETAILS OF UNDIMENSIONED FEATURES MAY VARY	PRODUCT DESCRIPTION USB to Apple Dock Connector	
COLOR VARIATIONS MAY OCCUR	SIZE A	CAGE CODE 43321	ITEM NO. CAUA-APDK
SCALE: NONE		CAD FILE: CAUA-APDK.SLDDRW	
SHEET 1 OF 1			REV. A