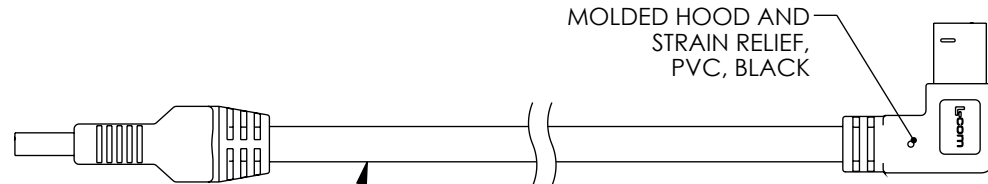
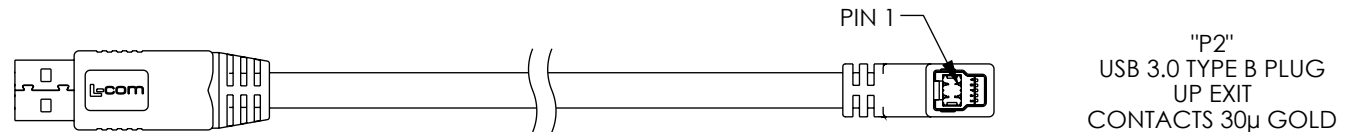
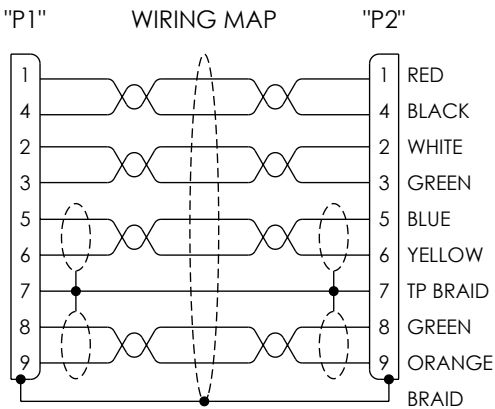
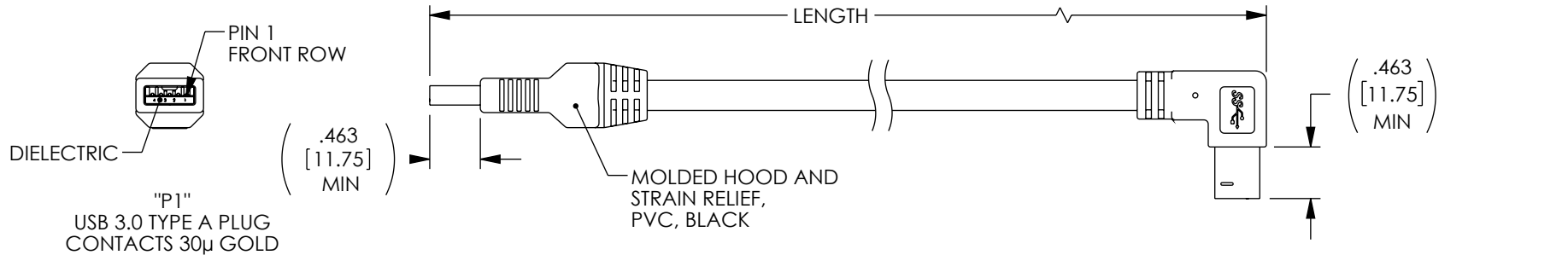


THE INFORMATION CONTAINED IN THIS DRAWING IS THE SOLE PROPERTY OF L-COM, INC. ANY REPRODUCTION IN PART OR WHOLE WITHOUT THE WRITTEN PERMISSION OF L-COM, INC. IS PROHIBITED.

REVISIONS			
REV	DESCRIPTION	DATE	APPROVED
A	INITIAL RELEASE	09/30/2022	GUTTADAURO





UL STYLE 20276, USB3.0 HIGH FLEX CABLE, (2) TWISTED PAIR, 28AWG WITH ALUM/POLY, DRAIN WIRE AND SPIRAL SHIELD, (1) UNSHIELDED TWISTED PAIR, 26AWG, (1) UNSHIELDED TWISTED PAIR, 22AWG, OVERALL ALUM/POLY AND BRAIDED SHIELD, JACKET: PVC, BLACK (NOM DIA. .276" [7.0]); FLAME RATING: UL VW-1; MIN. FIXED BEND RADIUS: 5X O.D.; MIN. MOVING BEND RADIUS: 10X O.D.)

PART NUMBER	LENGTH METERS [FEET]
CAU3HFA-90UB-05M	0.5 [1.64]
CAU3HFA-90UB-1M	1.0 [3.28]
CAU3HFA-90UB-105M	1.5 [4.92]
CAU3HFA-90UB-2M	2.0 [6.56]
CAU3HFA-90UB-205M	2.5 [8.20]

NOTES:

- CABLE TYPE-U DRAG CHAIN TESTING: 5 MILLION CYCLES MIN. (75mm BEND RADIUS)
- CABLE ASSEMBLY SHALL HAVE 360° SHIELD TERMINATION.
- CABLE ASSEMBLY SHALL MEET USB 3.0 REQUIREMENTS.
- CABLE ASSEMBLY SHALL BE TESTED FOR CONTINUITY.
- CABLE ASSEMBLY SHALL BE INDIVIDUALLY PACKAGED IN ACCORDANCE WITH L-COM SPECIFICATION PS-0031.

UNLESS OTHERWISE SPECIFIED, DIMENSIONS ARE IN INCHES [mm] OVERALL CABLE LENGTH TOLERANCE: ≤12 [305] = +1 [25] / -0 >12 [305] ≤60 [1524] = +2 [51] / -0 >60 [1524] ≤120 [3048] = +4 [102] / -0 >120 [3048] ≤300 [7620] = +6 [152] / -0 >300 [7620] = +5% / -0 ALL OTHER DIMENSIONAL TOLERANCES: .X = ± .2 [5] FRACTIONS ± 1/32 .XX = ± .02 [5] ANGLES ± 1° .XXX = ± .005 [13]	APPROVALS	DATE	 50 High Street, West Mill, North Andover, MA 01845 USA. Phone: 1.800.341.5266 1.978.682.6936
	DRAWN BY SLI	01/19/2022	
THIRD-ANGLE PROJECTION 	CHECKED BY GUTTADAURO	01/19/2022	CATEGORY USB
	APPROVED BY GUTTADAURO	01/19/2022	PRODUCT DESCRIPTION CA HI-FLEX USB3.0 A/90UP B
CONFIGURATION DETAILS OF UNDIMENSIONED FEATURES MAY VARY	COLOR VARIATIONS MAY OCCUR	SIZE A	CAGE CODE 43321
		DWG. NO. CAU3HFA-90UB	REV. A
		SCALE: NONE	CAD FILE: CAU3HFA-90UB.SLDDRW
			SHEET 1 OF 1