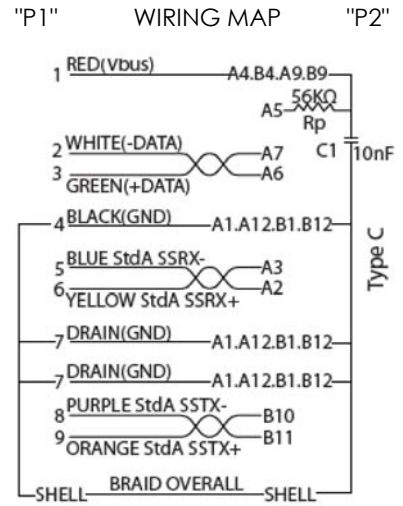
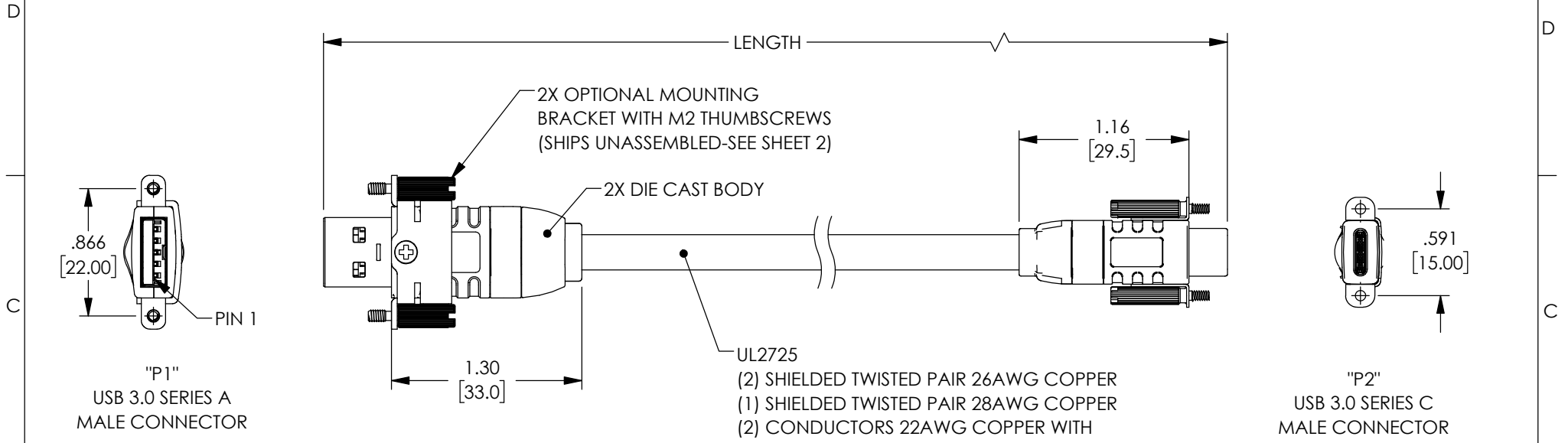


THE INFORMATION CONTAINED IN THIS DRAWING IS THE SOLE PROPERTY OF L-COM, INC. ANY REPRODUCTION IN PART OR WHOLE WITHOUT THE WRITTEN PERMISSION OF L-COM, INC. IS PROHIBITED.

REVISIONS			
REV	DESCRIPTION	DATE	APPROVED
A	INITIAL RELEASE	11/13/2019	GUTTADAURO



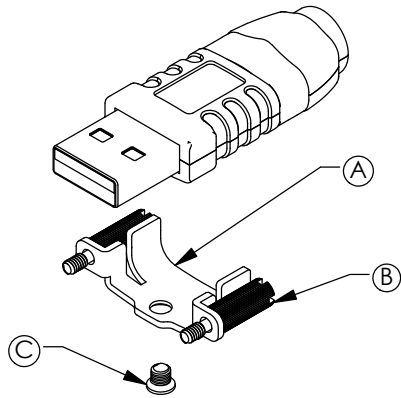
UL2725
 (2) SHIELDED TWISTED PAIR 26AWG COPPER
 (1) SHIELDED TWISTED PAIR 28AWG COPPER
 (2) CONDUCTORS 22AWG COPPER WITH OVERALL COPPER BRAID SHIELD AND COPPER DRAIN WIRE
 JACKET: PVC, BLACK [O.D. 6.2mm NOM.]

MODEL NUMBER	LENGTH METERS [FEET]
CAU3DCVISAC-1M	1.0 [3.28]
CAU3DCVISAC-2M	2.0 [6.56]
CAU3DCVISAC-3M	3.0 [9.84]

NOTES:
 ALL DIMENSIONS ARE FOR REFERENCE ONLY
 CABLE ASSEMBLIES SHALL BE TESTED FOR CONTINUITY
 CABLE ASSEMBLIES SHALL BE INDIVIDUALLY PACKAGED IN POLY BAG.
 CABLE ASSEMBLIES ARE CONSTRUCTED TO MEET USB 3.0 REQUIREMENTS.

UNLESS OTHERWISE SPECIFIED, DIMENSIONS ARE IN INCHES [mm] OVERALL CABLE LENGTH TOLERANCE: ≤12 [305] = +1 [25] / -0 >12 [305] ≤60 [1524] = +2 [51] / -0 >60 [1524] ≤120 [3048] = +4 [102] / -0 >120 [3048] ≤300 [7620] = +6 [152] / -0 >300 [7620] = +5% / -0 ALL OTHER DIMENSIONAL TOLERANCES: .X = ± .2 [5] FRACTIONS ± 1/32 .XX = ± .02 [5] ANGLES ± 1° .XXX = ± .005 [13]	APPROVALS DRAWN BY DFRISIELLO CHECKED BY GUTTADAURO APPROVED BY GUTTADAURO	DATE 11/11/2019 11/13/2019 11/13/2019	 an INFINIT® brand 50 High Street, West Mill, North Andover, MA 01845 USA. Phone: 1.800.341.5266 1.978.682.6936
	THIRD-ANGLE PROJECTION 	CONFIGURATION DETAILS OF UNDIMENSIONED FEATURES MAY VARY COLOR VARIATIONS MAY OCCUR	CATEGORY USB 3.0
SIZE A	CAGE CODE 43321	DWG. NO. CAU3DCVISAC	REV. A
SCALE: NONE		CAD FILE: CAU3DCVISAC.SLDDRW	
SHEET 1 OF 2			

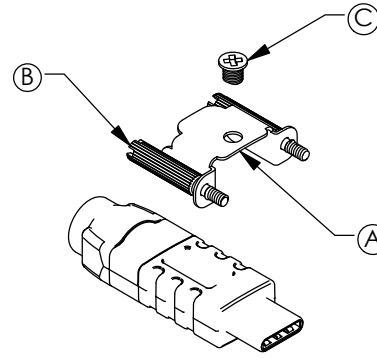
THE INFORMATION CONTAINED IN THIS DRAWING IS THE SOLE PROPERTY OF L-COM, INC. ANY REPRODUCTION IN PART OR WHOLE WITHOUT THE WRITTEN PERMISSION OF L-COM, INC. IS PROHIBITED.



USB 3.0 SERIES A
ACCESSORIES DETAIL
(INCLUDED WITH CABLE)

ITEM LETTER	SEPERATE ACCESSORIES	QTY
A	SHEET METAL BRACKET	1
B	M2 THUMBSCREW	2
C	M2.6 x 3.0 FLAT HEAD SCREW	1


NOTE: THUMBSCREWS AND FLAT HEAD SCREW MAY BE PREINSTALLED.



USB 3.0 SERIES C
ACCESSORIES DETAIL
(INCLUDED WITH CABLE)

ITEM LETTER	SEPERATE ACCESSORIES	QTY
A	SHEET METAL BRACKET	1
B	M2 THUMBSCREW	2
C	M2.6 x 2.5 FLAT HEAD SCREW	1

NOTE: THUMBSCREWS AND FLAT HEAD SCREW MAY BE PREINSTALLED.

		50 High Street, West Mill, North Andover, MA 01845 USA. Phone: 1.800.341.5266 1.978.682.6936	
CATEGORY USB 3.0			
PRODUCT DESCRIPTION USB 3.0 A/C DieCast w/ Opt Vision			
SIZE A	CAGE CODE 43321	DWG. NO. CAU3DCVISAC	REV. A
SCALE: NONE		CAD FILE: CAU3DCVISAC.SLDDRW	
		SHEET 2 OF 2	