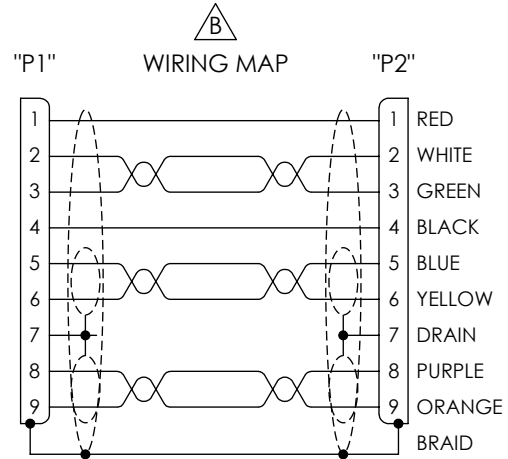
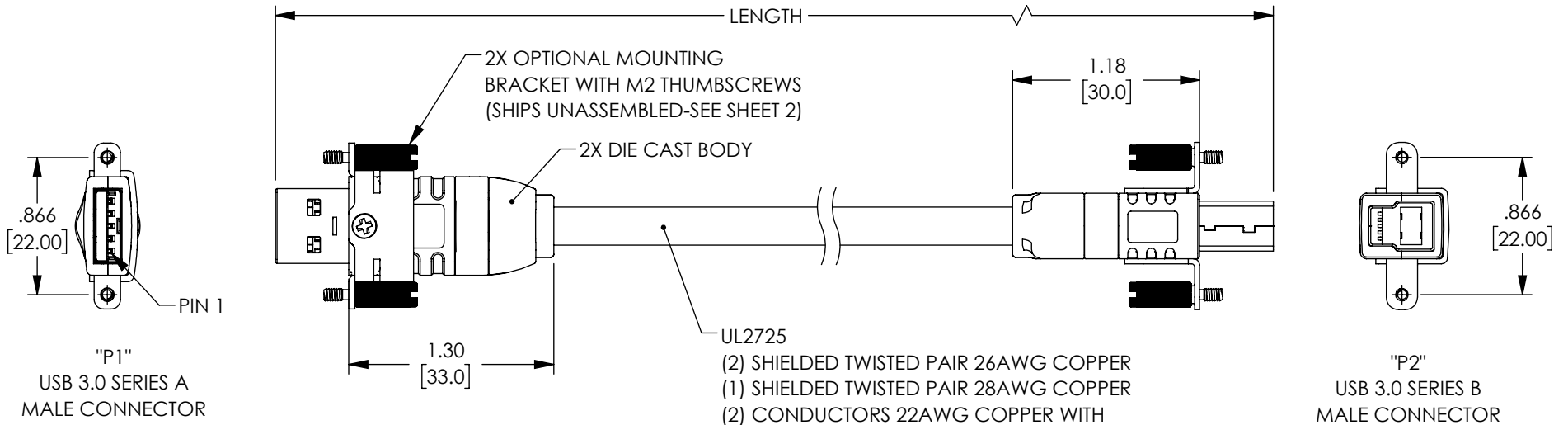



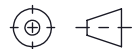
THE INFORMATION CONTAINED IN THIS DRAWING IS THE SOLE PROPERTY OF L-COM, INC. ANY REPRODUCTION IN PART OR WHOLE WITHOUT THE WRITTEN PERMISSION OF L-COM, INC. IS PROHIBITED.

REVISIONS			
REV	DESCRIPTION	DATE	APPROVED
A	INITIAL RELEASE	11/13/2019	GUTTADAURO
B	ECN 11806: REVISED WIRE MAP	04/19/2022	GUTTADAURO

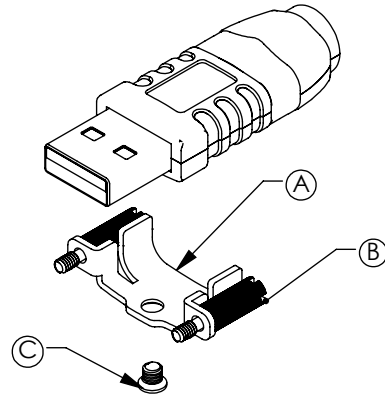


MODEL NUMBER	LENGTH METERS [FEET]
CAU3DCVISAB-1M	1.0 [3.28]
CAU3DCVISAB-2M	2.0 [6.56]
CAU3DCVISAB-3M	3.0 [9.84]

NOTES:
 ALL DIMENSIONS ARE FOR REFERENCE ONLY
 CABLE ASSEMBLIES SHALL BE TESTED FOR CONTINUITY
 CABLE ASSEMBLIES SHALL BE INDIVIDUALLY PACKAGED IN POLY BAG.
 CABLE ASSEMBLIES ARE CONSTRUCTED TO MEET USB 3.0 REQUIREMENTS.

UNLESS OTHERWISE SPECIFIED, DIMENSIONS ARE IN INCHES [mm] OVERALL CABLE LENGTH TOLERANCE: ≤12 [305] = +1 [25] / -0 >12 [305] ≤60 [1524] = +2 [51] / -0 >60 [1524] ≤120 [3048] = +4 [102] / -0 >120 [3048] ≤300 [7620] = +6 [152] / -0 >300 [7620] = +5% / -0 ALL OTHER DIMENSIONAL TOLERANCES: .X = ± .2 [5] FRACTIONS ± 1/32 .XX = ± .02 [5] ANGLES ± 1° .XXX = ± .005 [1.3]	APPROVALS DRAWN BY DFRISIELLO CHECKED BY GUTTADAURO APPROVED BY GUTTADAURO	DATE 11/07/2019 11/13/2019 11/13/2019	 50 High Street, West Mill, North Andover, MA 01845 USA. Phone: 1.800.341.5266 1.978.682.6936
	CONFIGURATION DETAILS OF UNDIMENSIONED FEATURES MAY VARY COLOR VARIATIONS MAY OCCUR	CATEGORY USB 3.0	
THIRD-ANGLE PROJECTION 	SIZE A CAGE CODE 43321 SCALE: NONE	DWG. NO. CAU3DCVISAB CAD FILE: CAU3DCVISAB.SLDDRW	REV. B SHEET 1 OF 2

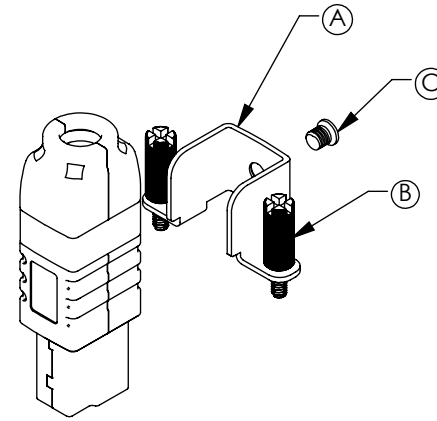
THE INFORMATION CONTAINED IN THIS DRAWING IS THE SOLE PROPERTY OF L-COM, INC. ANY REPRODUCTION IN PART OR WHOLE WITHOUT THE WRITTEN PERMISSION OF L-COM, INC. IS PROHIBITED.



USB 3.0 SERIES A
ACCESSORIES DETAIL
(INCLUDED WITH CABLE)

ITEM LETTER	SEPERATE ACCESSORIES	QTY
A	SHEET METAL BRACKET	1
B	M2 THUMBSCREW	2
C	M2.5 x 3.0 FLAT HEAD SCREW	1


NOTE: THUMBSCREWS AND FLAT HEAD SCREW MAY BE PREINSTALLED.



USB 3.0 SERIES B
ACCESSORIES DETAIL
(INCLUDED WITH CABLE)

ITEM LETTER	SEPERATE ACCESSORIES	QTY
A	SHEET METAL BRACKET	1
B	M2 THUMBSCREW	2
C	M2.5 x 3.0 FLAT HEAD SCREW	1

NOTE: THUMBSCREWS AND FLAT HEAD SCREW MAY BE PREINSTALLED.

		50 High Street, West Mill, North Andover, MA 01845 USA. Phone: 1.800.341.5266 1.978.682.6936	
CATEGORY			
USB 3.0			
PRODUCT DESCRIPTION			
USB 3.0 A/B DieCast w/ Opt Vision			
SIZE	CAGE CODE	DWG. NO.	REV.
A	43321	CAU3DCVISAB	B
SCALE: NONE		CAD FILE: CAU3DCVISAB.SLDDRW	
			SHEET 2 OF 2