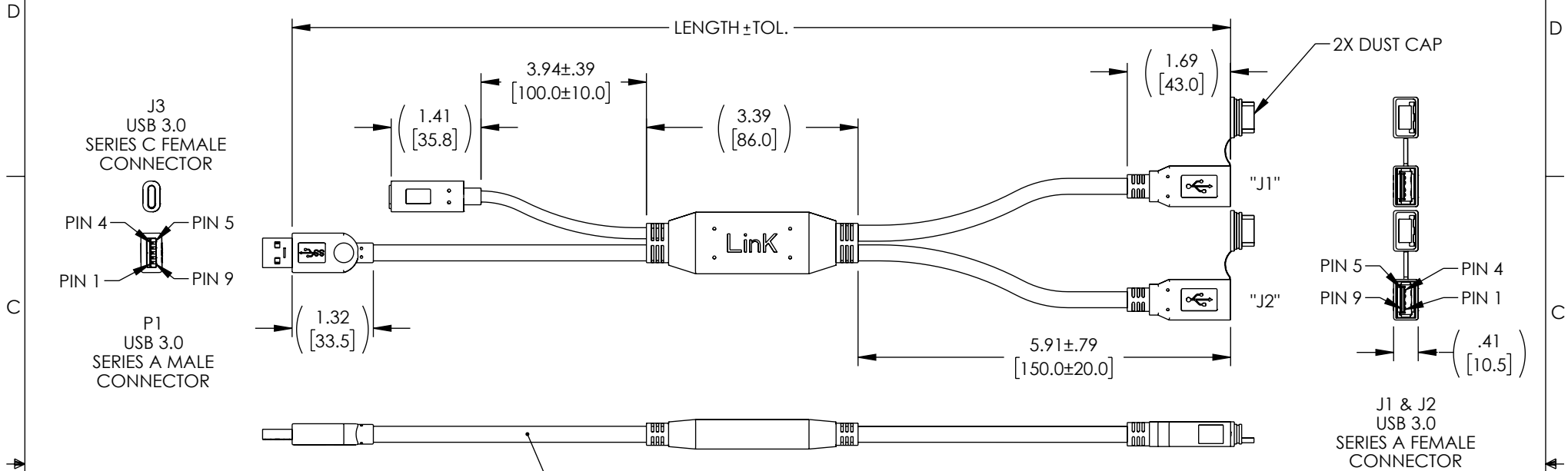
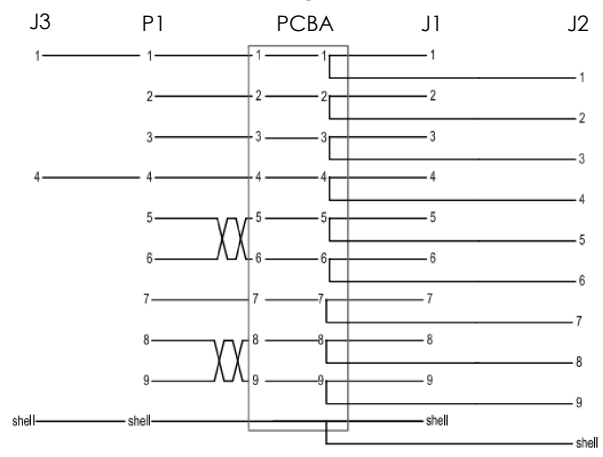


THE INFORMATION CONTAINED IN THIS DRAWING IS THE SOLE PROPERTY OF L-COM, INC. ANY REPRODUCTION IN PART OR WHOLE WITHOUT THE WRITTEN PERMISSION OF L-COM, INC. IS PROHIBITED.

REVISION					
ZONE	REV	DESCRIPTION	DATE	CHANGED BY	APPROVED
	A	INITIAL RELEASE	05/25/2023	DFRISIELLO	GUTTADAURO



WIRING MAP



USB3.0 UL2725  
 2 PAIR, STRANDED TINNED COPPER,  
 INDIVIDUALLY SHIELDED WITH DRAIN WIRE  
 1 PAIR, STRANDED TINNED COPPER, UNSHIELDED  
 2 COND. STRANDED TINNED COPPER  
 WITH OVERALL ALUM/POLY SHIELD AND DRAIN WIRE  
 PLUS OVERALL BRAIDED SHIELD. JACKET: PVC, BLACK

ITEM NUMBER	LENGTH, FT [mm]	TOLERANCE, IN [mm]
CAU3AEXT-MF-2C-5M	16.41 [5000.0]	± 1.97 [50.0]

NOTES:  
 PASS: 5Gbps/3A 5V TEST  
 1. CABLE ASSEMBLY SHALL BE TESTED FOR CONTINUITY.  
 2. CABLE ASSEMBLY SHALL BE INDIVIDUALLY PACKAGED.

UNLESS OTHERWISE SPECIFIED, DIMENSIONS ARE IN INCHES [mm] OVERALL CABLE LENGTH TOLERANCE: ≤12 [305] = +1 [25] / -0 >12 [305] ≤60 [1524] = +2 [51] / -0 >60 [1524] ≤120 [3048] = +4 [102] / -0 >120 [3048] ≤300 [7620] = +6 [152] / -0 >300 [7620] = +5% / -0 ALL OTHER DIMENSIONAL TOLERANCES: .X = ± .2 [5]   FRACTIONS ± 1/32 .XX = ± .02 [5]   ANGLES ± 1° .XXX = ± .005 [13]	APPROVALS DRAWN BY DFRISIELLO CHECKED BY RCARLESCO APPROVED BY GUTTADAURO	DATE 05/16/2023 05/16/2023 05/16/2023	50 High Street, West Mill, North Andover, MA 01845 USA. Phone: 1.800.341.5266 1.978.682.6936	
	CATEGORY USB 3.0			
	PRODUCT DESCRIPTION USB 3.0 EXTENSION, AM/AF, TWO CONNECTORS			
THIRD-ANGLE PROJECTION 	CONFIGURATION DETAILS OF UNDIMENSIONED FEATURES MAY VARY	COLOR VARIATIONS MAY OCCUR	SIZE A CAGE CODE 43321 ITEM NO. CAU3AEXT-MF-2C SCALE: NONE CAD FILE: CAU3AEXT-MF-2C.SLDRW	REV. A SHEET 1 OF 1