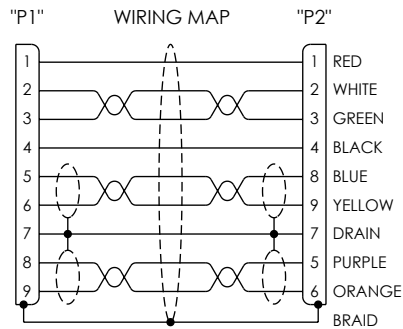
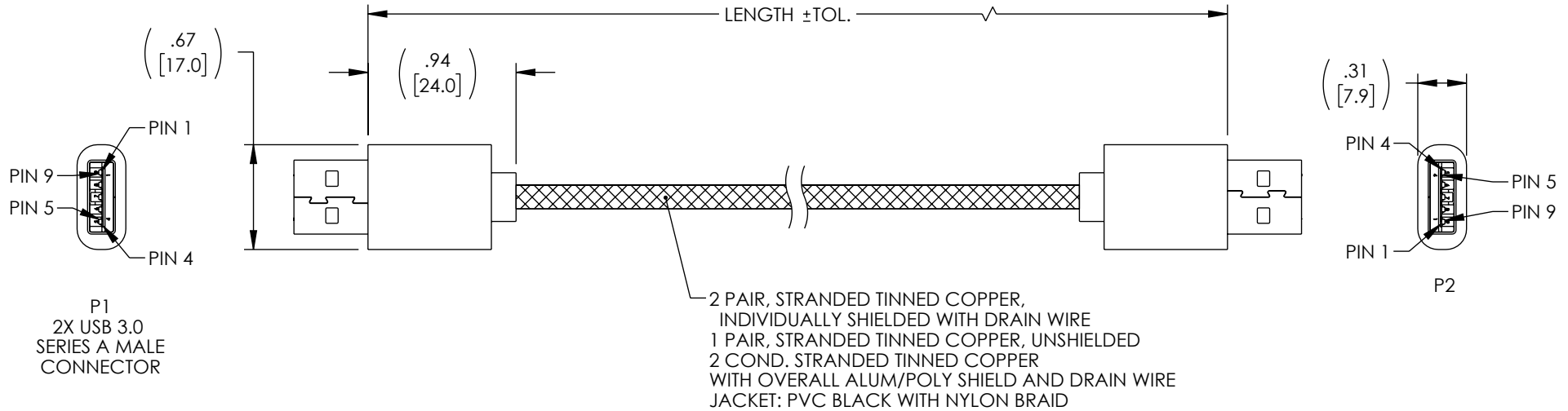


THE INFORMATION CONTAINED IN THIS DRAWING IS THE SOLE PROPERTY OF L-COM, INC. ANY REPRODUCTION IN PART OR WHOLE WITHOUT THE WRITTEN PERMISSION OF L-COM, INC. IS PROHIBITED.

| REVISION | | | | | |
|----------|-----|-----------------|------------|------------|------------|
| ZONE | REV | DESCRIPTION | DATE | CHANGED BY | APPROVED |
| | A | INITIAL RELEASE | 05/25/2023 | DFRISIELLO | GUTTADAURO |



| ITEM NUMBER | LENGTH, IN [mm] | TOLERANCE, IN [mm] |
|---------------|-----------------|--------------------|
| CAU3AA-MM-05M | 19.69 [500.0] | ±1.18 [30.0] |
| CAU3AA-MM-1M | 39.37 [1000.0] | ±1.18 [30.0] |
| CAU3AA-MM-3M | 118.11 [3000.0] | ±1.18 [30.0] |

NOTES:

PASS: 5Gbps/5A 2V TEST

1. CABLE ASSEMBLY SHALL BE TESTED FOR CONTINUITY.
2. CABLE ASSEMBLY SHALL BE INDIVIDUALLY PACKAGED.

| | | | | |
|---|---|--|---|----------------------|
| <p>UNLESS OTHERWISE SPECIFIED, DIMENSIONS ARE IN INCHES [mm]</p> <p>OVERALL CABLE LENGTH TOLERANCE: ≤12 [305] = +1 [25] / -0 >12 [305] ≤60 [1524] = +2 [51] / -0 >60 [1524] ≤120 [3048] = +4 [102] / -0 >120 [3048] ≤300 [7620] = +6 [152] / -0 >300 [7620] = +5% / -0</p> <p>ALL OTHER DIMENSIONAL TOLERANCES: .X = ±.2 [5] FRACTIONS ± 1/32 .XX = ±.02 [5] ANGLES ± 1° .XXX = ±.005 [1.3]</p> <p>THIRD-ANGLE PROJECTION</p> | <p>APPROVALS</p> <p>DATE</p> | <p>L-com an INFINITI® brand</p> <p>50 High Street, West Mill, North Andover, MA 01845 USA. Phone: 1.800.341.5266 1.978.682.6936</p> | | |
| | <p>DRAWN BY</p> <p>CHECKED BY</p> <p>APPROVED BY</p> | | <p>05/15/2023</p> <p>05/15/2023</p> <p>05/15/2023</p> | |
| | <p>CATEGORY</p> <p>USB 3.0</p> | | | |
| | <p>CONFIGURATION DETAILS OF UNDIMENSIONED FEATURES MAY VARY</p> <p>COLOR VARIATIONS MAY OCCUR</p> | | | |
| <p>PRODUCT DESCRIPTION</p> <p>USB 3.0, AM/AM, Alum Shell, 5V/2A 5Gbps, Black Nylon Braid</p> | | <p>SCALE: NONE</p> <p>CAD FILE: CAU3AA-MM.SLDDRW</p> <p>SHEET 1 OF 1</p> | | |
| <p>SIZE</p> <p>A</p> | | <p>CAGE CODE</p> <p>43321</p> | <p>ITEM NO.</p> <p>CAU3AA-MM</p> | <p>REV.</p> <p>A</p> |