

6

5

4

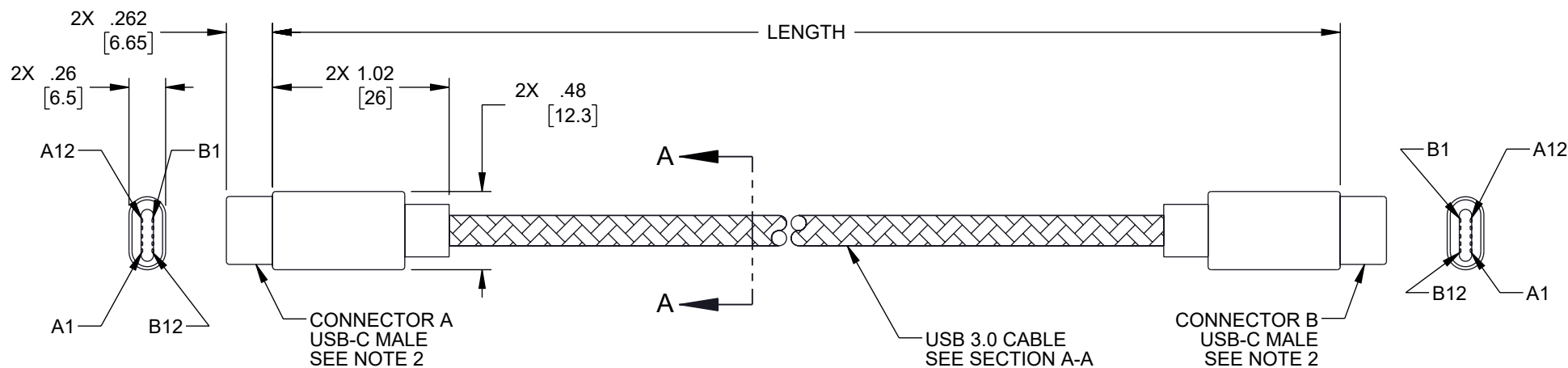
3

2

1

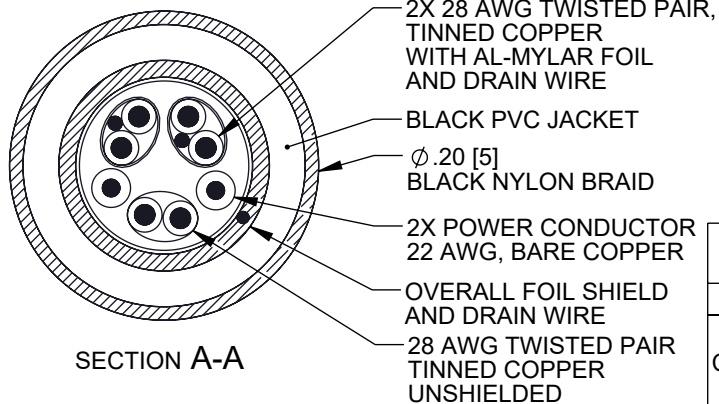
## REVISION

ZONE	REV	DESCRIPTION	DATE	CHANGED BY	APPROVED
	B	UPDATED PER ECO-13519	05/16/2024	HBAKKE	DGUST



## WIRING MAP

CONNECTOR A	CONNECTOR B
V	V
A7	A7
A6	A6
A5	A5
A3	A3
A2	A2
GND	GND
B10	B10
B11	B11



SECTION A-A

TABULATION BLOCK  
SEE NOTE 3

ITEM NO.	LENGTH ± 1.2 [30]	QTY PER KIT
CAU3-CC-3PK	3 FT	1
	6 FT	1
	10 FT	1

## NOTES:

- ELECTRICAL TEST: 100% OPEN SHORT MISS WIRE TEST CONTACT RESISTANCE: 2 Ohm MAX INSULATION RESISTANCE: 5 MΩ MIN HI-POT TEST: DC 300V/10 ms PASS 480 Mbps/5V 3A TEST
- MATERIAL:  
CONNECTOR A: NICKEL PLATING  
BLACK ALUMINUM ALLOY HOUSING  
BOOT MATERIAL: 45P BLACK PVC  
CONNECTOR B: NICKEL PLATING  
BLACK ALUMINUM ALLOY HOUSING,  
BOOT MATERIAL: 45P BLACK PVC
- CABLES SHALL BE INDIVIDUALLY PACKAGED IN A SEALED POLYETHYLENE BAG. ONE BAGGED CABLE OF EACH LENGTH SHOWN IN TABULATION BLOCK SHALL BE PLACED IN A LARGER POLYETHYLENE BAG AND SEALED. A LABEL SHOWING THE KIT ITEM NUMBER, ITEM REVISION, AND ITEM DESCRIPTION SHALL BE APPLIED TO THE BAG.

THE INFORMATION CONTAINED IN THIS DRAWING IS THE SOLE PROPERTY OF INFINITE ELECTRONICS, INC. ANY REPRODUCTION IN PART OR WHOLE WITHOUT THE WRITTEN PERMISSION OF INFINITE ELECTRONICS, INC. IS PROHIBITED. THESE COMMODITIES, TECHNOLOGY OR SOFTWARE WERE EXPORTED FROM THE UNITED STATES IN ACCORDANCE WITH THE EXPORT ADMINISTRATION REGULATIONS. DIVERSION CONTRARY TO U.S. LAW PROHIBITED.

UNLESS OTHERWISE SPECIFIED  
LEADING DIMENSIONS ARE INCHES  
DIMENSIONS IN [ ] ARE MILLIMETERS

TOLERANCES:  
X = ± 2 [5] FRACTIONS  
XX = ± 0.02 [0.5] ± 1/32  
.XXX = ± 0.005 [0.13] ANGLES ± 1°

CABLE LENGTH TOLERANCES:  
≤ 12 [305] = ± 1 [25] / - 0  
> 12 [305] ≤ 60 [1524] = ± 2 [51] / - 0  
> 60 [1524] ≤ 120 [3048] = ± 4 [102] / - 0  
> 120 [3048] ≤ 300 [7620] = ± 6 [152] / - 0  
> 300 [7620] = ± 5% / - 0

ALL DIMENSIONS ARE FOR REFERENCE ONLY  
AND SUBJECT TO CHANGE WITHOUT NOTICE.  
UN-DIMENSIONED NON-CRITICAL FEATURES  
MAY VARY IN SIZE AND LOCATION  
COLORS MAY VARY

**L-com**  
an INFINIT® brand

Website: www.L-com.com  
Phone: 1.800.341.5266 | 1.978.682.6936



INTERPRET ALL DIMENSIONS AND  
TOLERANCES PER ASME Y14.5

SCALE NONE SHEET 1 OF 1

## DESCRIPTION

CABLE KIT, USB 3.0, USB-C MALE TO USB-C MALE,  
3FT/6FT/10FT

SIZE	CAGE CODE	DRAWN BY	ITEM NO.	REV
A	43321	AKRESOWSKI	CAU3-CC-3PK	B

6

5

4

3

2

1