

6

5

4

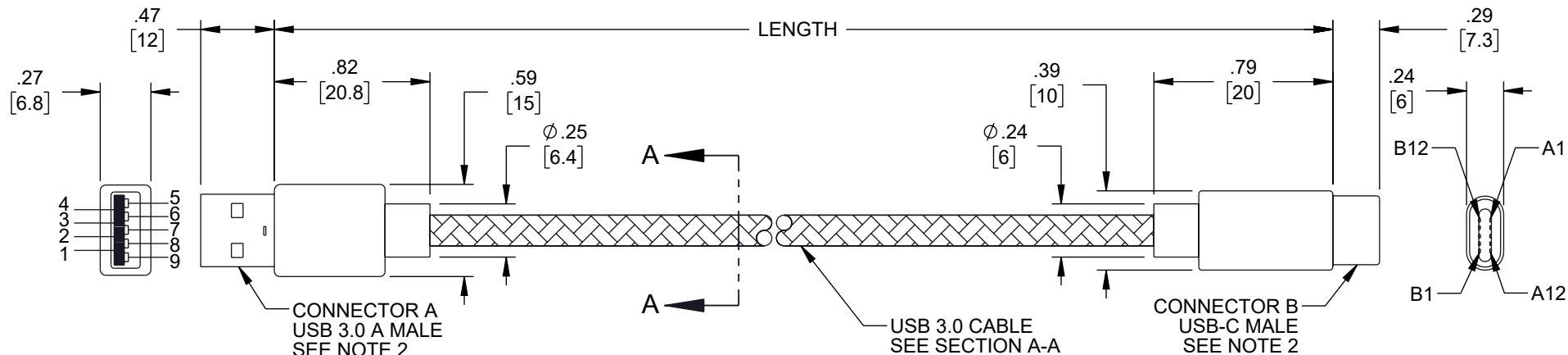
3

REVISION

ZONE	REV	DESCRIPTION	DATE	CHANGED BY	APPROVED
	A	INITIAL RELEASE	01/29/2024	AKRESOWSKI	GUTTADAURO

F

F



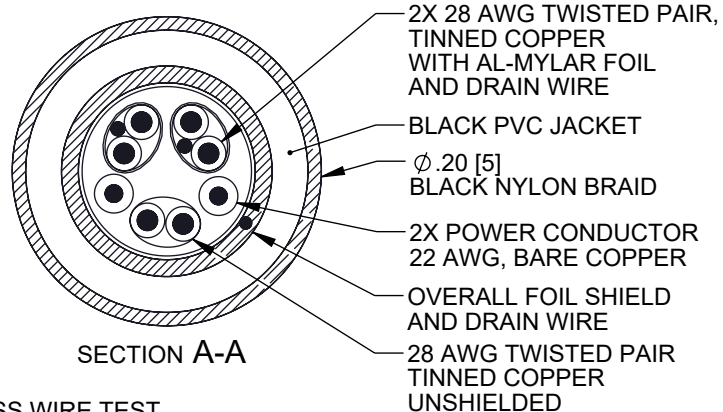
E

E

D

D

WIRING MAP	
CONNECTOR A	CONNECTOR B
1	V
2	A7
3	A6
4	G
5	A2
6	A3
7	GND
8	B11
9	B10



TABULATION BLOCK SEE NOTE 3		
ITEM NO.	LENGTH ±1.2 [30]	QTY PER KIT
CAU3-AC-3PK	3 FT	1
	6 FT	1
	10 FT	1

C

C

## NOTES:

- ELECTRICAL TEST: 100% OPEN SHORT MISS WIRE TEST  
CONTACT RESISTANCE: 2 Ohm MAX  
INSULATION RESISTANCE: 5 MΩ MIN  
HI-POT TEST: DC 300V/10 ms  
PASS 480 Mbps/5V 3A TEST
- MATERIAL:  
CONNECTOR A: NICKEL PLATING, BLUE PLASTIC  
BLACK ALUMINUM ALLOY HOUSING  
BOOT MATERIAL: LDPE, 45P BLACK PVC  
CONNECTOR B: NICKEL PLATING  
BLACK ALUMINUM ALLOY HOUSING,  
BOOT MATERIAL: 45P BLACK PVC
- CABLES SHALL BE INDIVIDUALLY PACKAGED IN A SEALED POLYETHYLENE BAG. ONE BAGGED CABLE OF EACH LENGTH SHOWN IN TABULATION BLOCK SHALL BE PLACED IN A LARGER POLYETHYLENE BAG AND SEALED. A LABEL SHOWING THE KIT ITEM NUMBER, ITEM REVISION, AND ITEM DESCRIPTION SHALL BE APPLIED TO THE BAG.

THE INFORMATION CONTAINED IN THIS DRAWING IS THE SOLE PROPERTY OF INFINITE ELECTRONICS, INC. ANY REPRODUCTION IN PART OR WHOLE WITHOUT THE WRITTEN PERMISSION OF INFINITE ELECTRONICS, INC. IS PROHIBITED. THESE COMMODITIES, TECHNOLOGY OR SOFTWARE WERE EXPORTED FROM THE UNITED STATES IN ACCORDANCE WITH THE EXPORT ADMINISTRATION REGULATIONS. DIVERSION CONTRARY TO U.S. LAW PROHIBITED.

6

5

4

3

2

1

UNLESS OTHERWISE SPECIFIED  
LEADING DIMENSIONS ARE INCHES  
DIMENSIONS IN [ ] ARE MILLIMETERS

TOLERANCES:  
X = ±.2 [5]      FRACTIONS  
.XX = ±.02 [0.5]      ± 1/32  
.XXX = ±.005 [0.13]      ANGLES ± 1°

CABLE LENGTH TOLERANCES:  
≤12 [305] = +1 [25] / -0  
>12 [305] ≤ 60 [1524] = +2 [51] / -0  
>60 [1524] ≤ 120 [3048] = +4 [102] / -0  
>120 [3048] ≤ 300 [7620] = +8 [152] / -0  
>300 [7620] = +8% / -0

ALL DIMENSIONS ARE FOR REFERENCE ONLY  
AND SUBJECT TO CHANGE WITHOUT NOTICE.  
UN-DIMENSIONED NON-CRITICAL FEATURES  
MAY VARY IN SIZE AND LOCATION  
COLORS MAY VARY

**L-com**  
an INFINIT® brand

Website: www.L-com.com  
Phone: 1.800.341.5266 | 1.978.682.6936



INTERPRET ALL DIMENSIONS AND  
TOLERANCES PER ASME Y14.5

SCALE	SHEET
NONE	1 OF 1

DESCRIPTION

CABLE KIT, USB 3.0, USB-A MALE TO USB-C MALE,  
3FT/6FT/10FT

SIZE	CAGE CODE	DRAWN BY	ITEM NO.	REV
A	43321	AKRESOWSKI	CAU3-AC-3PK	A

A

A