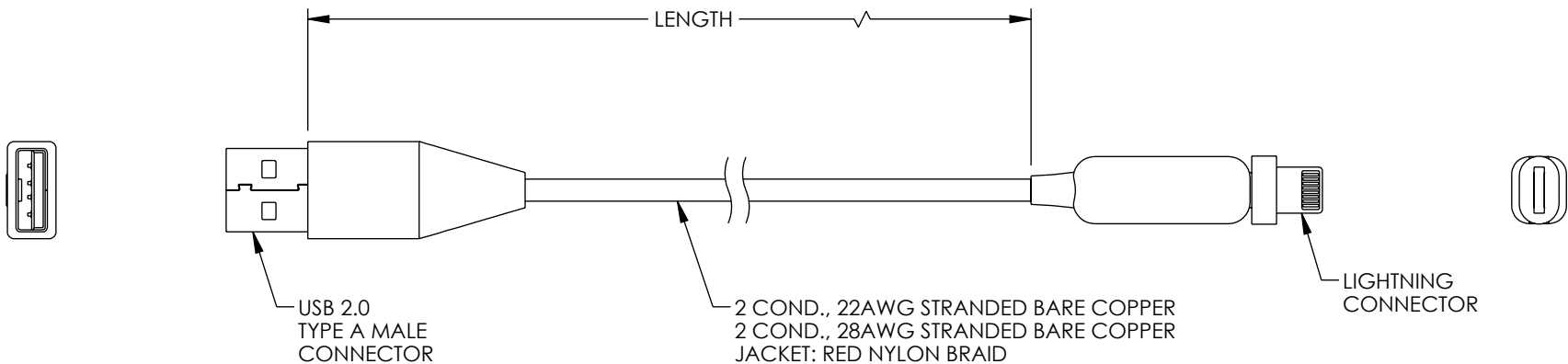


THE INFORMATION CONTAINED IN THIS DRAWING IS THE SOLE PROPERTY OF L-COM, INC. ANY REPRODUCTION IN PART OR WHOLE WITHOUT THE WRITTEN PERMISSION OF L-COM, INC. IS PROHIBITED.

REVISIONS			
REV	DESCRIPTION	DATE	APPROVED
A	INITIAL RELEASE	01/23/2023	GUTTADAURO




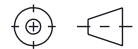
WIRING MAP

USB AM		LIGHTNING
1Vbus	—————	1Vbus
2D-	—————	2D-
3D+	—————	3D+
4GND	—————	4GND

ITEM NUMBER	LENGTH M [FT]
CAU2ALGT-MM-1M	1.0±.03 [3.28]
CAU2ALGT-MM-2M	2.0±.05 [6.56]

NOTES:

- CABLE ASSEMBLY SHALL BE TESTED FOR CONTINUITY.
- CABLE ASSEMBLY SHALL BE INDIVIDUALLY PACKAGED.

UNLESS OTHERWISE SPECIFIED, DIMENSIONS ARE IN INCHES [mm] OVERALL CABLE LENGTH TOLERANCE: ≤12 [305] = +1 [25] / -0 >12 [305] ≤60 [1524] = +2 [51] / -0 >60 [1524] ≤120 [3048] = +4 [102] / -0 >120 [3048] ≤300 [7620] = +6 [152] / -0 >300 [7620] = +5% / -0 ALL OTHER DIMENSIONAL TOLERANCES: .X = ±.2 [5] FRACTIONS ± 1/32 .XX = ±.02 [.5] ANGLES ± 1° .XXX = ±.005 [.13]	APPROVALS DRAWN BY DFRISIELLO CHECKED BY RCARLESCO APPROVED BY GUTTADAURO	DATE 01/23/2023 01/23/2023 01/23/2023	 an INFINITI brand 50 High Street, West Mill, North Andover, MA 01845 USA. Phone: 1.800.341.5266 1.978.682.6936
	CONFIGURATION DETAILS OF UNDIMENSIONED FEATURES MAY VARY COLOR VARIATIONS MAY OCCUR	CATEGORY USB	PRODUCT DESCRIPTION 180°Rotating USB2.0A-Lightning, M/M
THIRD-ANGLE PROJECTION 	SIZE A	CAGE CODE 43321	ITEM NO. CAU2ALGT-MM
		REV. A	