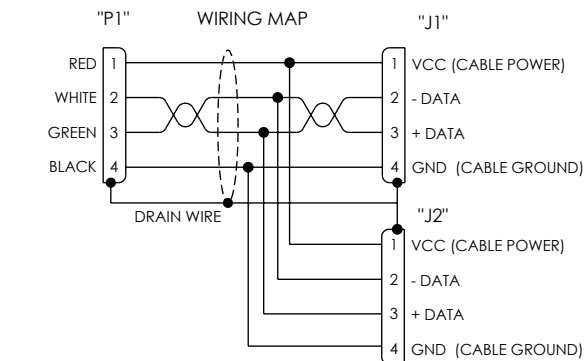
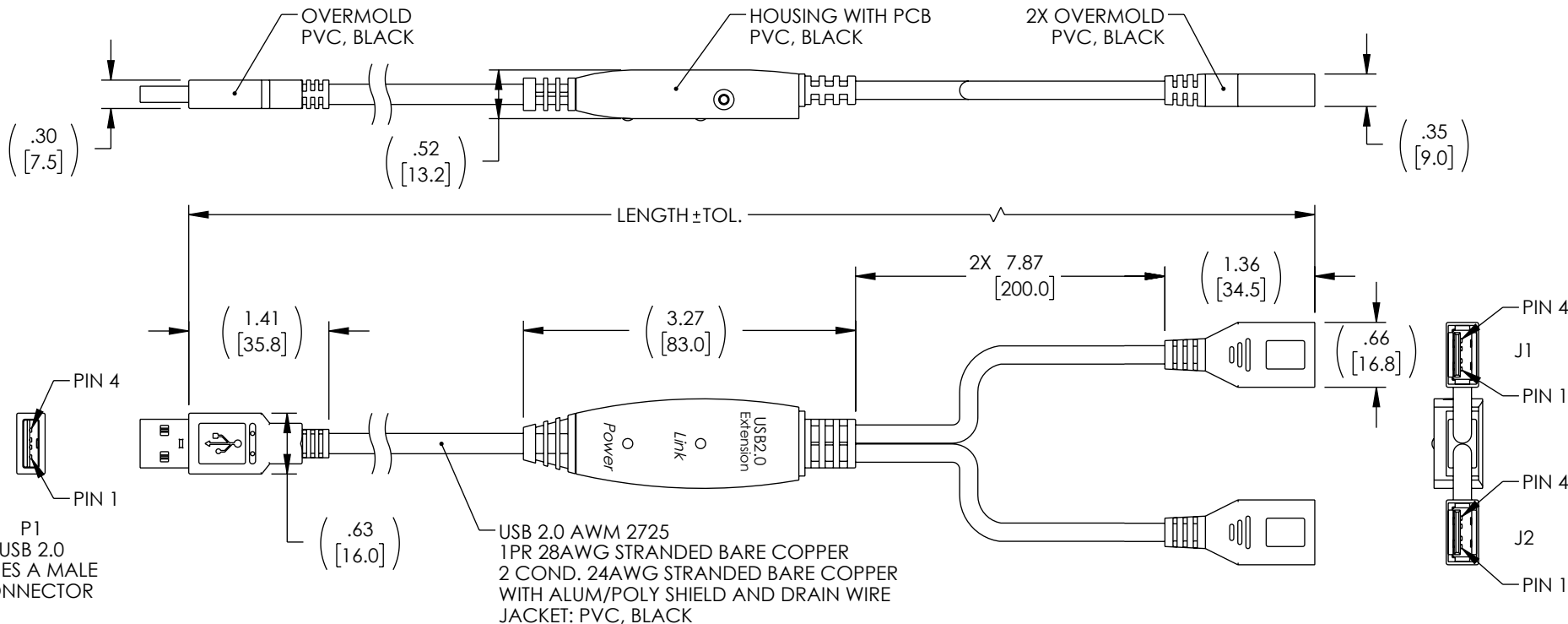


THE INFORMATION CONTAINED IN THIS DRAWING IS THE SOLE PROPERTY OF L-COM, INC. ANY REPRODUCTION IN PART OR WHOLE WITHOUT THE WRITTEN PERMISSION OF L-COM, INC. IS PROHIBITED.

REVISION					
ZONE	REV	DESCRIPTION	DATE	CHANGED BY	APPROVED
	A	INITIAL RELEASE	05/15/2023	DFRISIELLO	GUTTADAURO



ITEM NUMBER	LENGTH, FT [mm]	TOLERANCE, IN. [mm]
CAU2AEXT-MF-2C	16.41 [5000.0]	±1.97 [50.0]

NOTES:

PASS: 480Mbps 5V/2A TEST

1. CABLE ASSEMBLY SHALL BE TESTED FOR CONTINUITY.
2. CABLE ASSEMBLY SHALL BE INDIVIDUALLY PACKAGED.

UNLESS OTHERWISE SPECIFIED, DIMENSIONS ARE IN INCHES [mm] OVERALL CABLE LENGTH TOLERANCE: ≤12 [305] = +1 [25] / -0 >12 [305] ≤60 [1524] = +2 [51] / -0 >60 [1524] ≤120 [3048] = +4 [102] / -0 >120 [3048] ≤300 [7620] = +6 [152] / -0 >300 [7620] = +5% / -0 ALL OTHER DIMENSIONAL TOLERANCES: .X = ±.2 [5]   FRACTIONS ± 1/32 .XX = ±.02 [5]   ANGLES ±1° .XXX = ±.005 [13]	APPROVALS DRAWN BY DFRISIELLO CHECKED BY RCARLESCO APPROVED BY GUTTADAURO	DATE 05/15/2023 05/15/2023 05/15/2023	50 High Street, West Mill, North Andover, MA 01845 USA. Phone: 1.800.341.5266 1.978.682.6936	
	CONFIGURATION DETAILS OF UNDIMENSIONED FEATURES MAY VARY COLOR VARIATIONS MAY OCCUR	CATEGORY USB 2.0		PRODUCT DESCRIPTION USB 2.0 EXTENSION, AM/AF, TWO CONNECTORS
THIRD-ANGLE PROJECTION 	SIZE A	CAGE CODE 43321	ITEM NO. CAU2AEXT-MF-2C	REV. A
SCALE: NONE		CAD FILE: CAU2AEXT-MF-2C.SLDRW		SHEET 1 OF 1