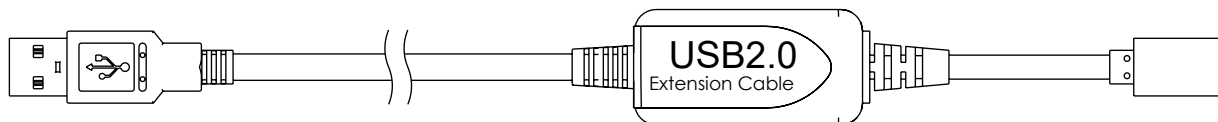
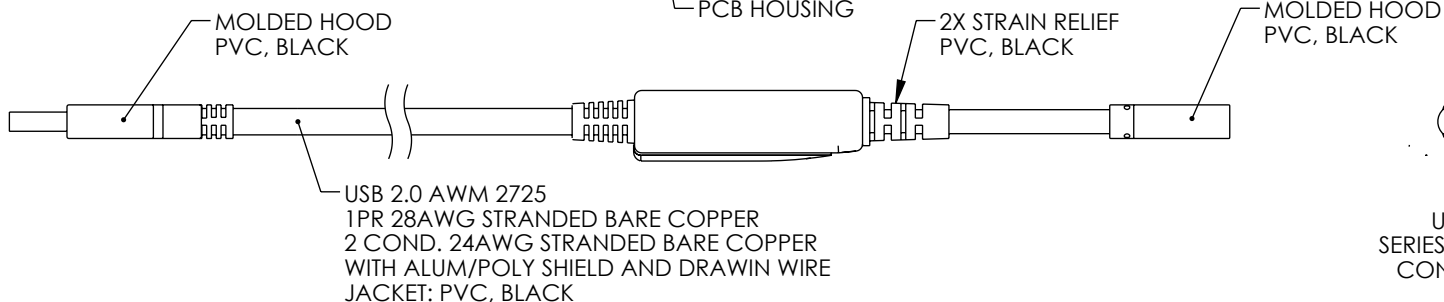
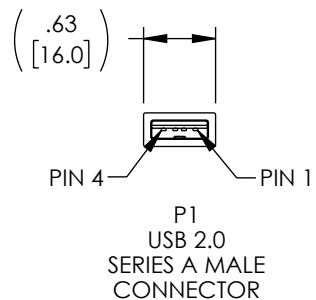
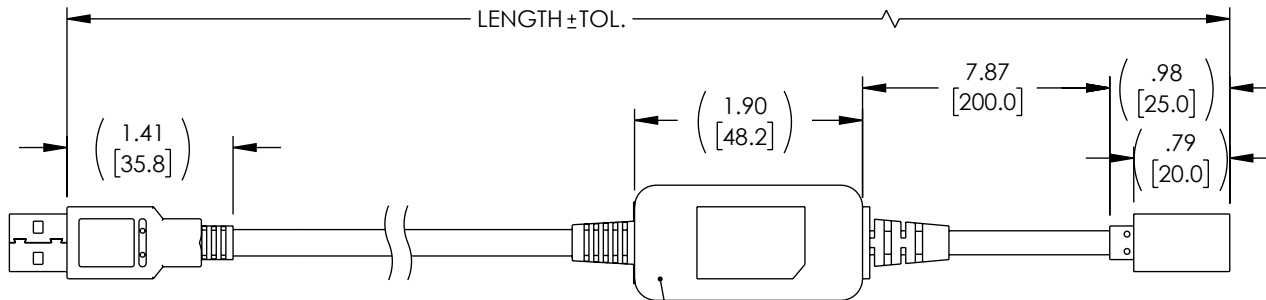


THE INFORMATION CONTAINED IN THIS DRAWING IS THE SOLE PROPERTY OF L-COM, INC. ANY REPRODUCTION IN PART OR WHOLE WITHOUT THE WRITTEN PERMISSION OF L-COM, INC. IS PROHIBITED.

REVISION					
ZONE	REV	DESCRIPTION	DATE	CHANGED BY	APPROVED
	A	INITIAL RELEASE	05/15/2023	DFRISIELLO	GUTTADAURO




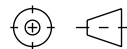
WIRING MAP

P1	PCBA	J1
1 RED	1 — 1	RED — A4+B4+A9+B9
2 WHITE	2 — 2	WHITE — A7
3 GREEN	3 — 3	GREEN — A6
4 BLACK	4 — 4	BLK+DRAIN — A1+B1+A12+B12
SHELL DRAIN	5	

ITEM NUMBER	LENGTH, FT [mm]	TOLERANCE, IN. [mm]
CAU2ACEXT-MF-5M	16.41 [5000.0]	±1.97 [50.0]

NOTES:

- PASS: 480Mbps 5V/2A TEST
- CABLE ASSEMBLY SHALL BE TESTED FOR CONTINUITY.
 - CABLE ASSEMBLY SHALL BE INDIVIDUALLY PACKAGED.

UNLESS OTHERWISE SPECIFIED, DIMENSIONS ARE IN INCHES [mm]	APPROVALS	DATE	 50 High Street, West Mill, North Andover, MA 01845 USA. Phone: 1.800.341.5266 1.978.682.6936
	OVERALL CABLE LENGTH TOLERANCE: ≤12 [305] = +1 [25] / -0 >12 [305] ≤60 [1524] = +2 [51] / -0 >60 [1524] ≤120 [3048] = +4 [102] / -0 >120 [3048] ≤300 [7620] = +6 [152] / -0 >300 [7620] = +5% / -0	DRAWN BY DFRISIELLO 05/15/2023	
ALL OTHER DIMENSIONAL TOLERANCES: .X = ±.2 [5] FRACTIONS ± 1/32 .XX = ±.02 [5] ANGLES ± 1° .XXX = ±.005 [13]	APPROVED BY GUTTADAURO 05/15/2023	CATEGORY USB 2.0	PRODUCT DESCRIPTION USB 2.0 EXTENSION, AM/CF, SINGLE CONNECTOR
	THIRD-ANGLE PROJECTION 	CONFIGURATION DETAILS OF UNDIMENSIONED FEATURES MAY VARY	
COLOR VARIATIONS MAY OCCUR		CAGE CODE 43321	ITEM NO. CAU2ACEXT-MF
		SCALE: NONE	CAD FILE: CAU2ACEXT-MF.SLDDRW
		SHEET 1 OF 1	